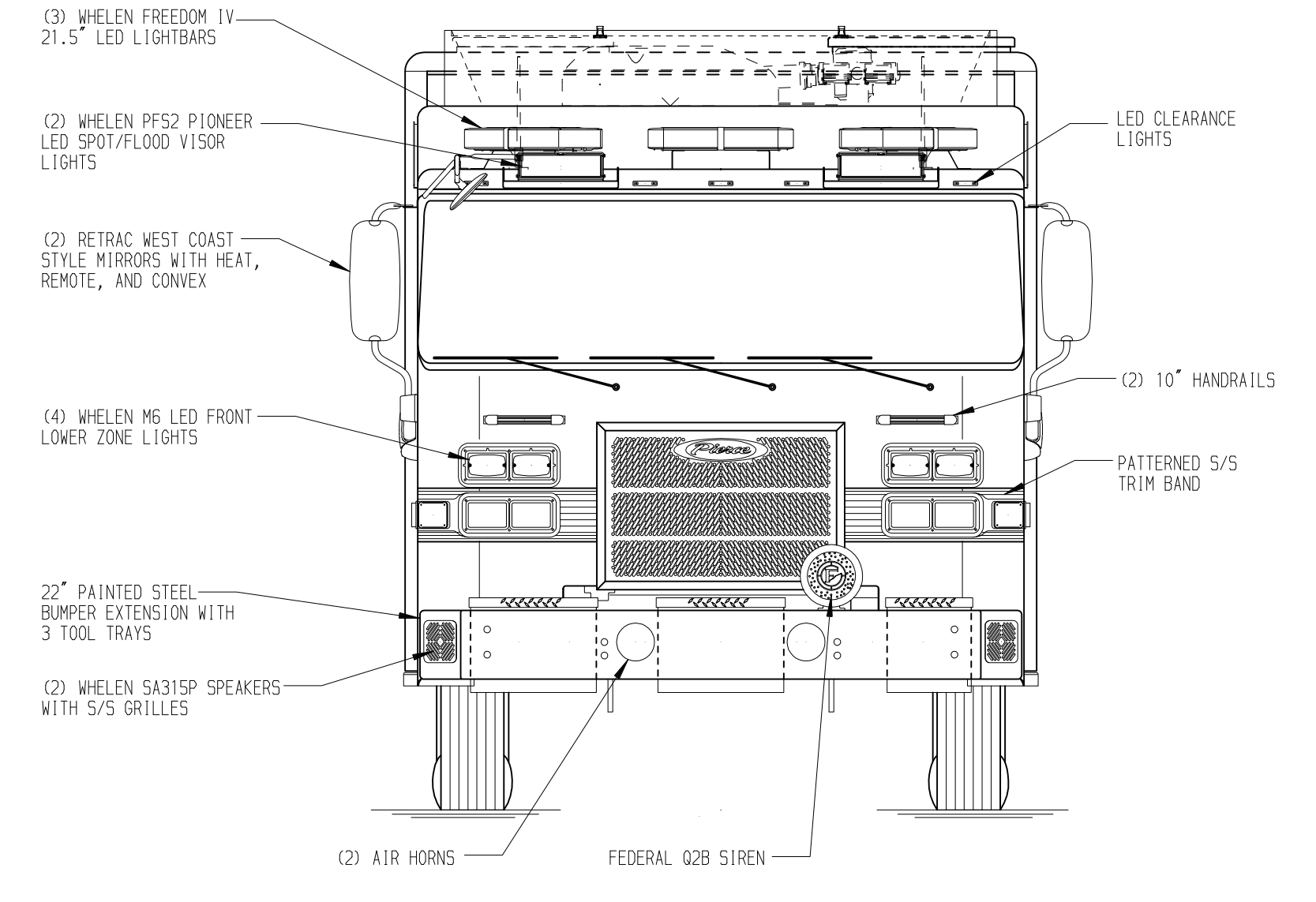
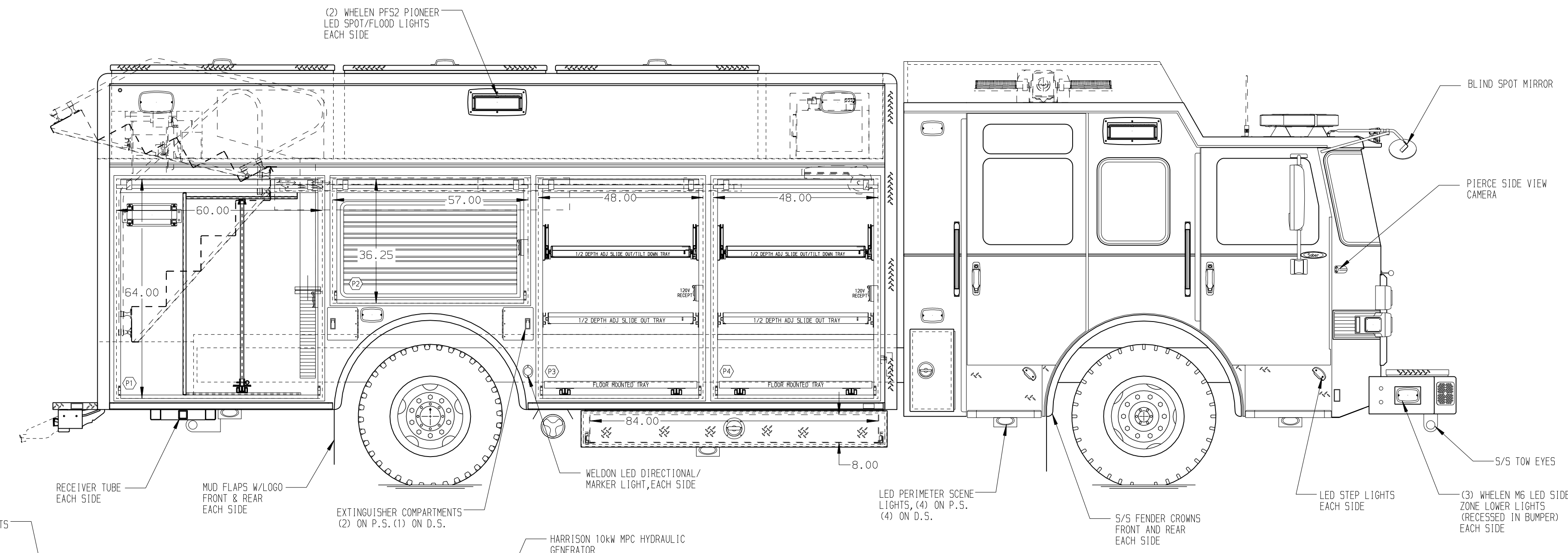


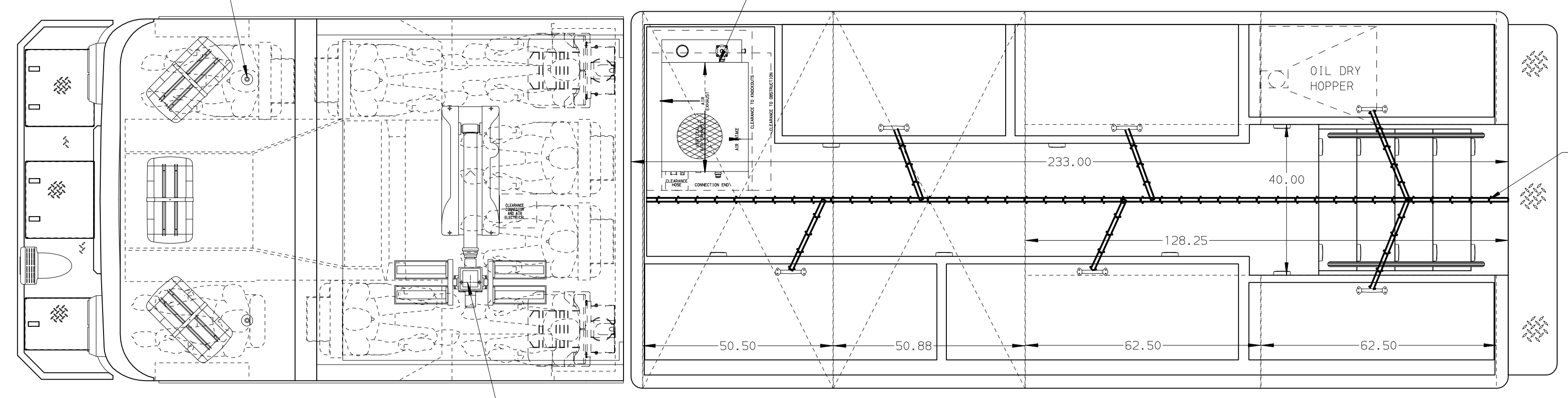
PASSENGER'S SIDE COMPARTMENTS CONTAIN THE FOLLOWING:

- COMPARTMENT P1 CONTAINS:**
 - (1) STD DEPTH ADJ SLIDE OUT TOOLBOARD
 - (1) OIL DRY HOPPER
 - (1) ELECTRIC CORD REEL WITH 200' OF 10/4 YELLOW CORD
 - (1) VERTICAL COMPARTMENT DIVIDER
 - (1) 15A, 120V DUPLEX RECEPTACLE
- COMPARTMENT P2 CONTAINS:**
 - (1) TOOL GRID SYSTEM
 - (1) 15A, 120V DUPLEX RECEPTACLE
- COMPARTMENT P3 CONTAINS:**
 - (1) FLOOR MOUNTED TRAY
 - (1) 1/2 DEPTH ADJ SLIDE OUT TRAY
 - (1) 1/2 DEPTH ADJ SLIDE OUT/TILT TRAY
 - (1) 15A, 120V DUPLEX RECEPTACLE
- COMPARTMENT P4 CONTAINS:**
 - (1) HORIZONTAL FLOOR EXTENSION
 - (1) FLOOR MOUNTED TRAY
 - (1) CAB LIFT CONTROLLER
 - (1) 1/2 DEPTH ADJ SLIDE OUT TRAY
 - (1) 1/2 DEPTH ADJ SLIDE OUT/TILT TRAY
 - (1) 15A, 120V DUPLEX RECEPTACLE



REAR COMPARTMENT CONTAINS THE FOLLOWING:

COMPARTMENT R1 CONTAINS:
 - (1) SPECIAL DEPTH FLOOR MOUNTED SLIDE OUT TRAY
 - (1) RACK FOR THE FOLLOWING:
 - (1) STOKES BASKET
 - (1) STORAGE COMPARTMENT NEXT TO STOKES



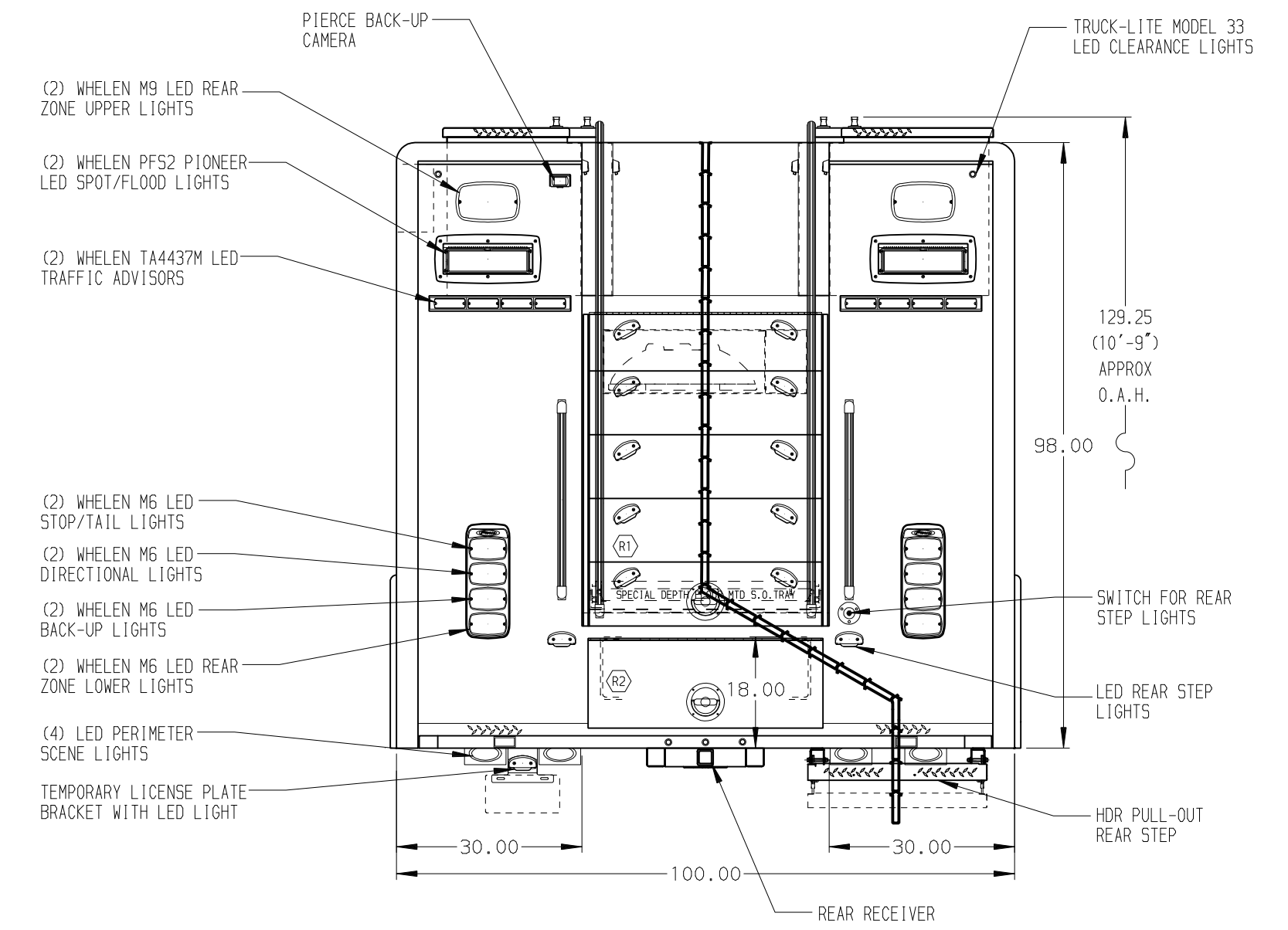
DRIVER'S SIDE COMPARTMENTS CONTAIN THE FOLLOWING:

COMPARTMENT D1 CONTAINS:
 - (1) ELECTRIC CORD REEL WITH 200' OF 10/4 YELLOW CORD
 - (1) FLOOR MOUNTED TRAY
 - (1) STD DEPTH ADJ SLIDE OUT/TILT TRAY
 - (1) 15A, 120V DUPLEX RECEPTACLE

COMPARTMENT D2 CONTAINS:
 - (1) 15A, 120V DUPLEX RECEPTACLE

COMPARTMENT D3 CONTAINS:
 - (1) FLOOR MOUNTED TRAY
 - (1) 1/2 DEPTH ADJ SLIDE OUT TRAY
 - (1) 1/2 DEPTH ADJ SLIDE OUT/TILT TRAY
 - (4) POLY TOOL BOXES
 - (1) 15A, 120V DUPLEX RECEPTACLE

COMPARTMENT D4 CONTAINS:
 - (1) KUSMALL 1200 CHARGER
 - (1) SUB FEED BOX
 - (1) HORIZONTAL FLOOR EXTENSION
 - (1) 1/2 DEPTH FLOOR MOUNTED SLIDE OUT TRAY WITH ADJ TOOLBOARD
 - (1) GENERATOR METER PANEL
 - (1) NIGHT SCAN CONTROLLER
 - (1) CIRCUIT BREAKER PANEL
 - (1) FLOOR MOUNTED TRAY
 - (1) 15A, 120V DUPLEX RECEPTACLE
 - (1) VERTICAL COMPARTMENT DIVIDER



NOTE
 DIMENSIONS SHOWN ARE APPROXIMATE AND ARE SUBJECT TO MINOR DEVIATIONS AS MAY OCCUR OR BE NECESSARY IN CONSTRUCTION. MINOR DETAILS NOT SHOWN.

- NOTES:**
1. POLISHED 5/S SCUFFPLATES ON CAB AND CREW CAB DOOR JAMBS
 2. FLOOR IN CAB AND CREW CAB TO BE PADDED RUBBER
 3. BATTERY CHARGE INDICATION LOCATED ON DRIVER'S SEAT RISER
 4. PULL STRAP ON REAR R1 COMPARTMENT
 5. 5/S GUARDS ON ALL BODY ROLL-UP DOORS
 6. AMOR DUAL LED LIGHTS IN ALL BODY AND HATCH COMPARTMENTS
 7. COMPARTMENT VENTILATION SYSTEM

CLEAR DOOR WIDTH KEY		CHASSIS DATA	
AMOR ROLL UP DOORS:	-1 7/8"	DATE	13JAN17
CURTAIN ROLL UP DOORS:	-2 3/4"	BY	DHE
PIERCE DOUBLE LAP DOORS:	-4 1/4"	CH	CDK
PIERCE LIFT-UP LAP DOORS:	-1 1/2"	MAKE	PIERCE
(EX: 60" F-F - 1 7/8" = 58 1/8" CLEAR)	(F-F) = FRAME TO FRAME	MODEL	SBR7010

		JOB NO.	30043
		SCALE	DATE
TITLE	HEAVY DUTY RESCUE NON-WALKIN	DRAWN BY	DHE
FOR	PENFIELD FIRE DISTRICT PENFIELD, NY	CHECKED BY	AZU
DWG NO.	30043AD	SHEET SIZE	SHEET NO.
		D	1 OF 1