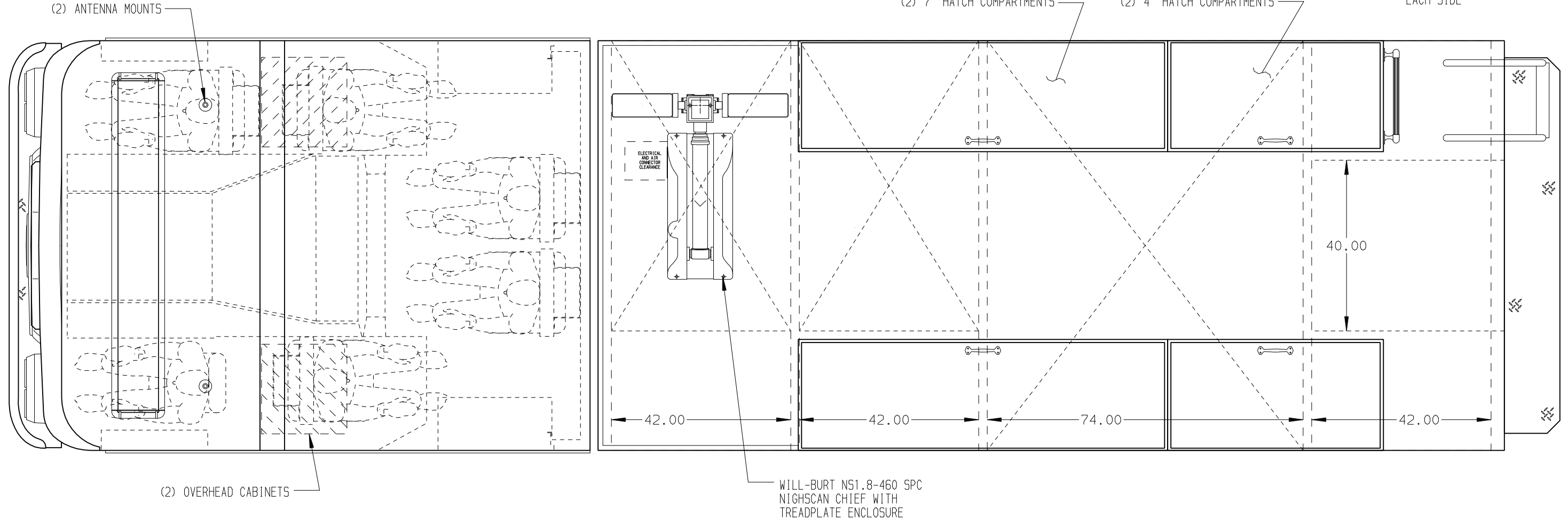
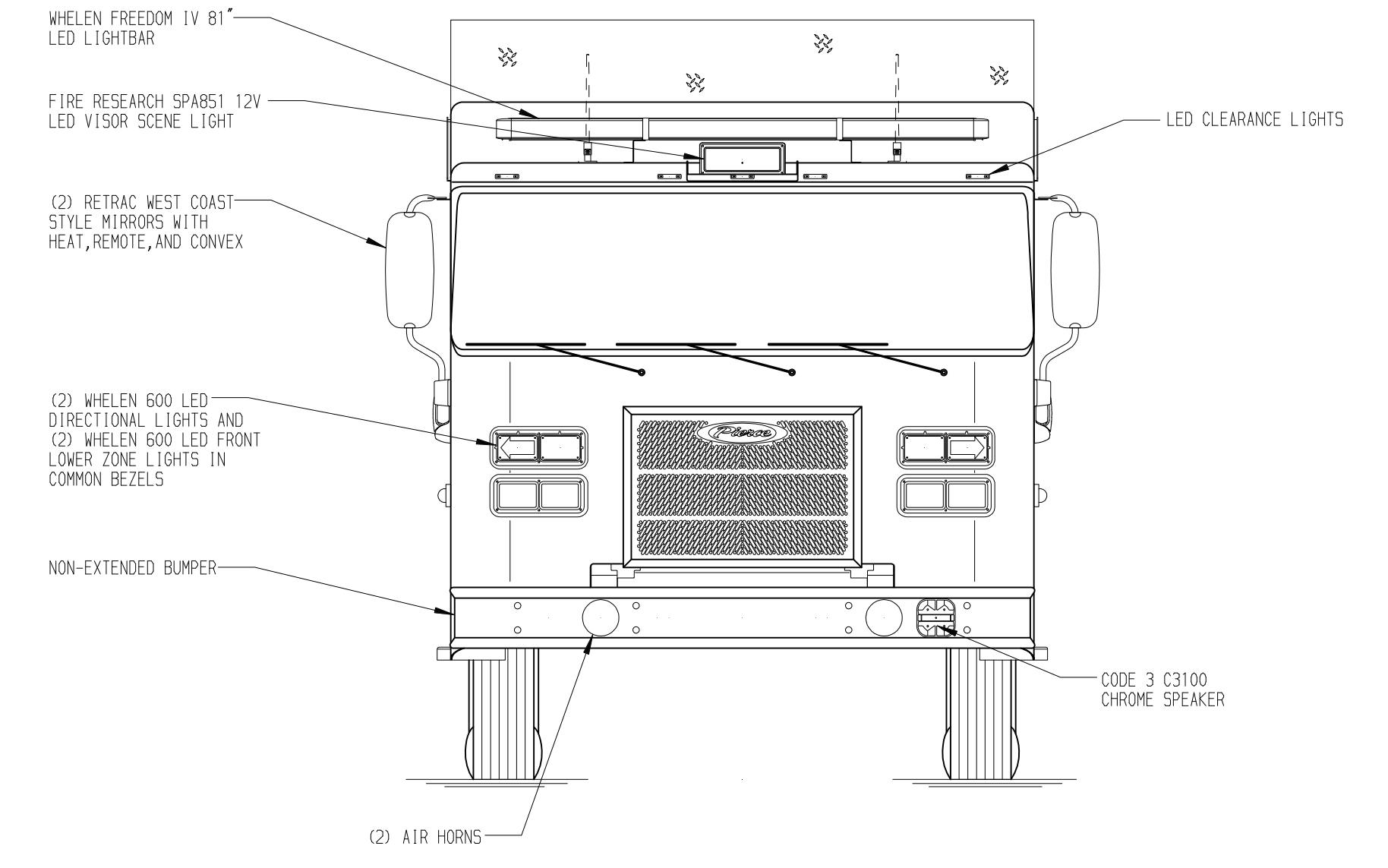
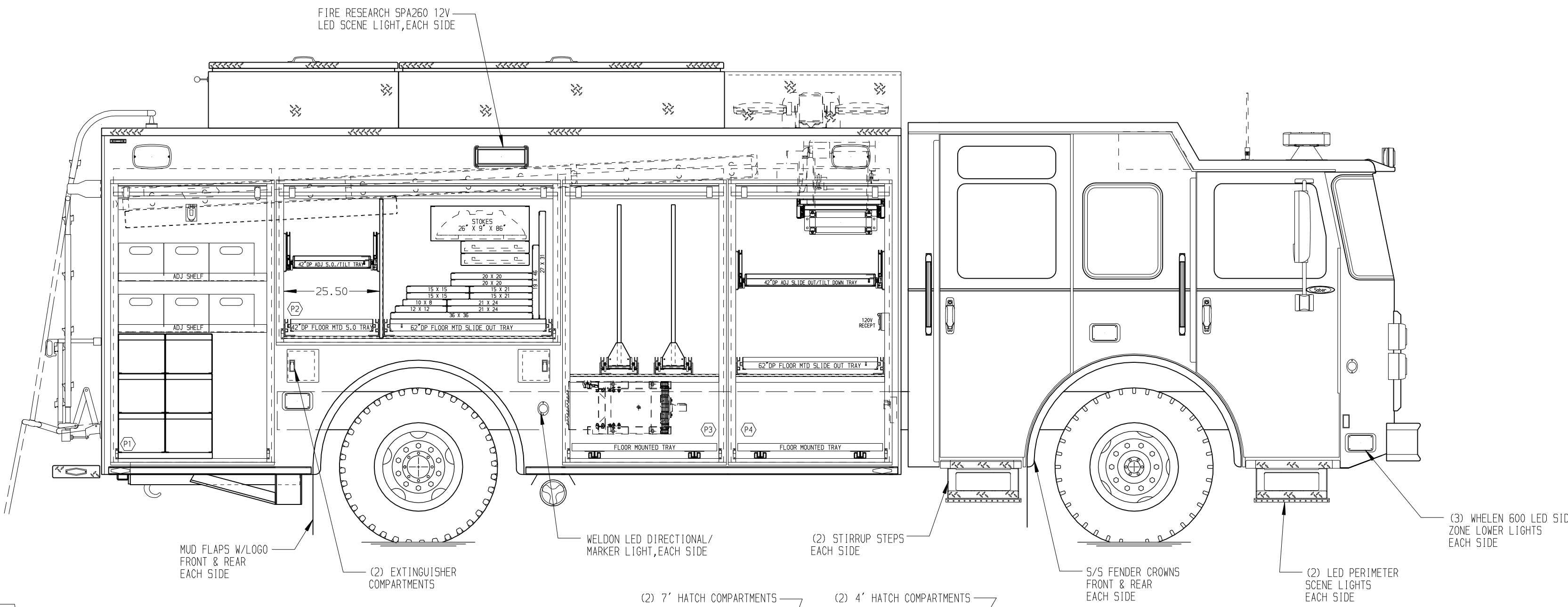


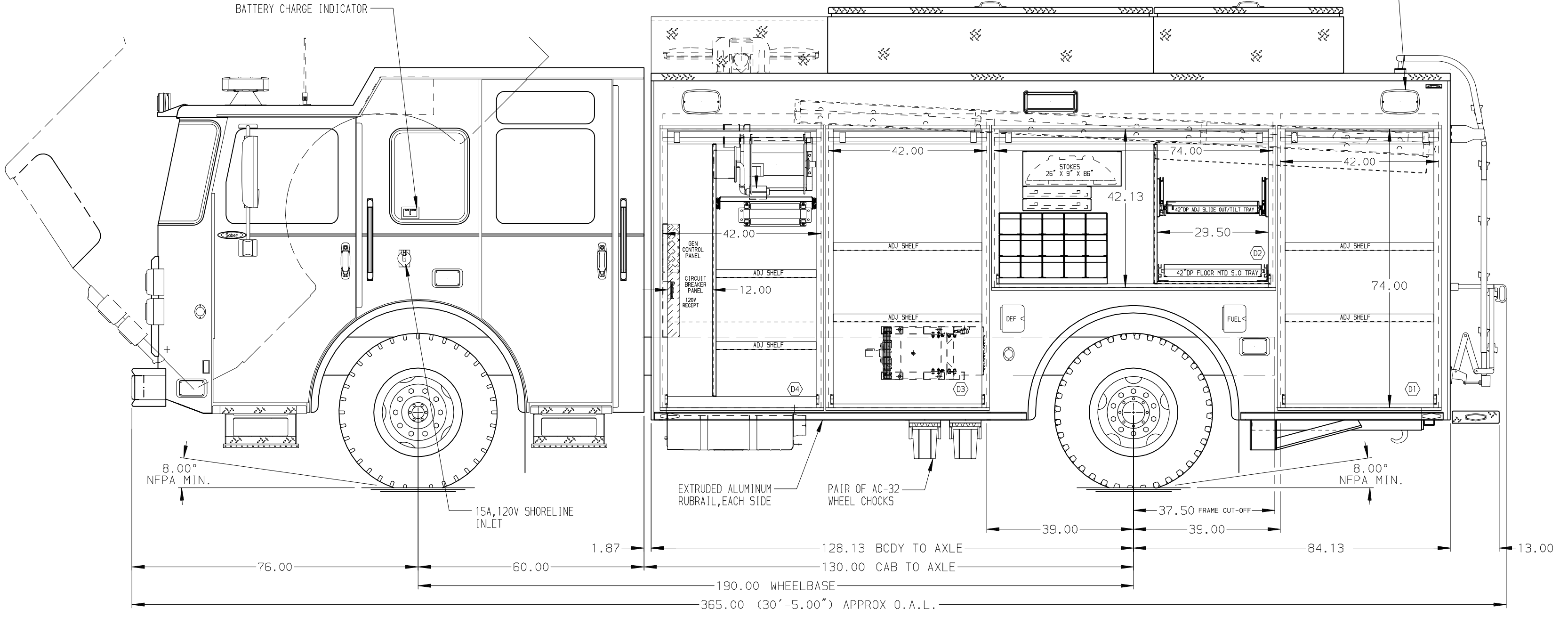
**PASSENGER'S SIDE COMPARTMENTS CONTAIN THE FOLLOWING:**

- COMPARTMENT P1 CONTAINS:**  
 - (2) 22" DP ADJ SHELVES  
 - (6) POLY TOOL BOXES (12" Wx10" Hx22" D)  
 - (1) SPECIAL STORAGE RACK W/6 SLOTS (12.25" Wx10.25" Hx22" D)  
 - (1) 20A, 120V DUPLEX RECEPTACLE
- COMPARTMENT P2 CONTAINS:**  
 - (1) VERTICAL COMPARTMENT DIVIDER  
 - (1) 42" DP ADJ SLIDE OUT/TILT TRAY  
 - (1) RACK FOR 12 AIR BAGS (SIZES SHOWN ARE AIR BAG SIZES)  
 - (1) 62" DP FLOOR MOUNTED SLIDE OUT TRAY  
 - (1) 42" DP FLOOR MOUNTED SLIDE OUT TRAY  
 - (1) STOKES BASKET RACK  
 - (1) RACK FOR 2 BACKBOARDS
- COMPARTMENT P3 CONTAINS:**  
 - (1) HORIZONTAL FLOOR EXTENSION  
 - (2) 62" DP ADJ SLIDE OUT TOOLBOARDS  
 - (1) 22" DP FLOOR MOUNTED TRAY
- COMPARTMENT P4 CONTAINS:**  
 - (1) HORIZONTAL FLOOR EXTENSION  
 - (1) 42" DP ADJ SLIDE OUT/TILT TRAY  
 - (1) 62" DP FLOOR MOUNTED SLIDE OUT TRAY  
 - (1) CAB LIFT CONTROLLER  
 - (1) 22" DP FLOOR MOUNTED TRAY  
 - (1) ELECTRIC CORD REEL WITH 300' OF 10/4 YELLOW CORD  
 - (1) SLIDE OUT ROLLER GUIDE BRACKET  
 - (1) 20A, 120V FIREPOWER RECEPTACLE



**REAR COMPARTMENT CONTAINS THE FOLLOWING:**

**COMPARTMENT R1 CONTAINS:**  
 - (1) SPECIAL SIZE ADJ SHELF  
 - (1) 38" DP ADJ SLIDE OUT TRAY  
 - (1) 42" DP FLOOR MOUNTED SLIDE OUT TRAY  
 - (1) 20A, 120V FIREPOWER RECEPTACLE  
 - (1) 30A, 240V T.L. RECEPTACLE  
 - (1) HURST HYDRAULIC POWER UNIT  
 - (1) CMW DUAL HYDRAULIC REEL WITH 100' OF HOSE EACH SIDE  
 - (1) RACK FOR THE FOLLOWING:  
 - (1) 24" 2-SECTION LADDER  
 - (4) PIKE POLES  
 - (1) TUBE FOR CHIMNEY BRUSH RODS  
 - (2) 4"x4" CRIBBING



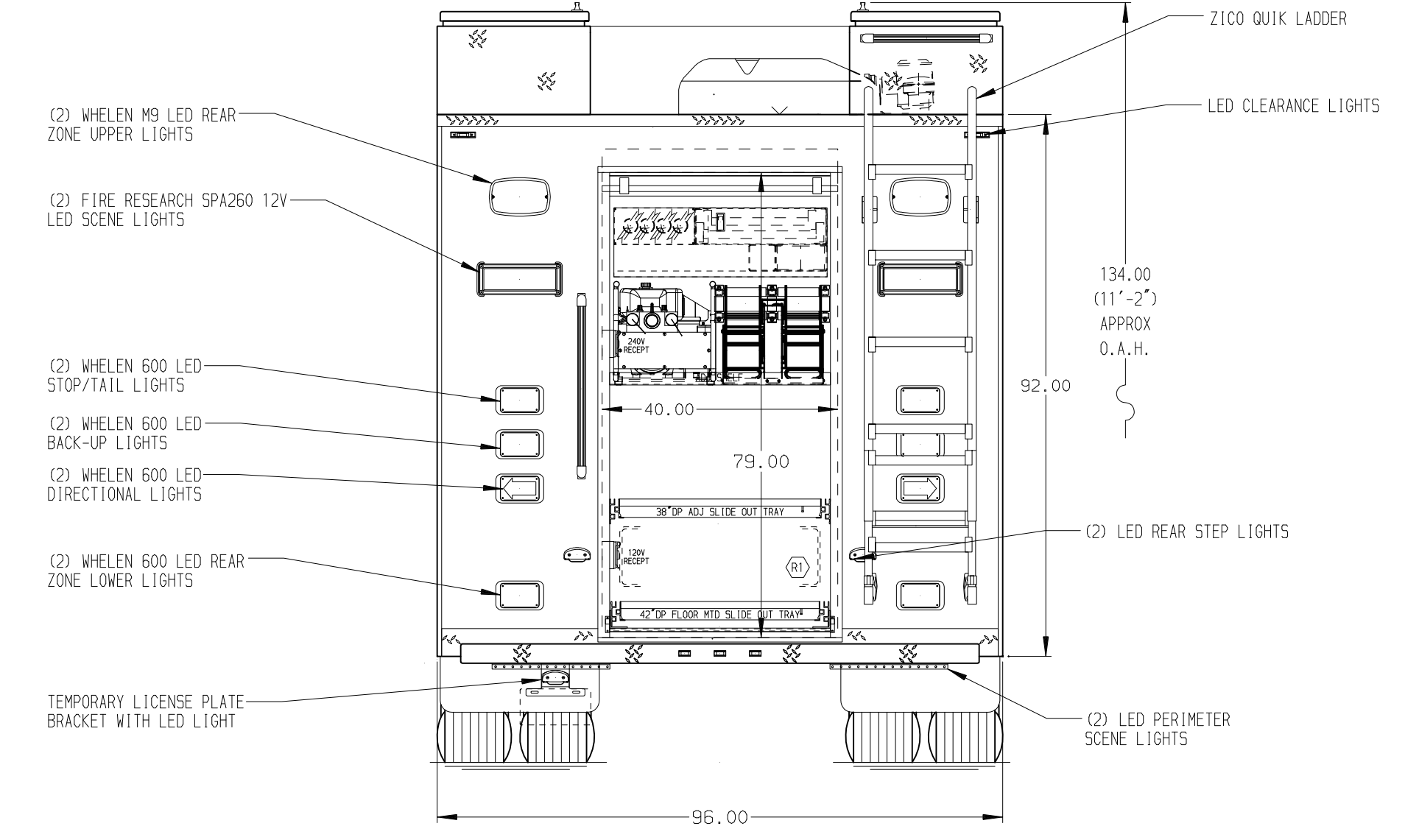
**DRIVER'S SIDE COMPARTMENTS CONTAIN THE FOLLOWING:**

**COMPARTMENT D1 CONTAINS:**  
 - (2) 22" DP ADJ SHELVES

**COMPARTMENT D2 CONTAINS:**  
 - (1) VERTICAL COMPARTMENT DIVIDER  
 - (1) 42" DP ADJ SLIDE OUT/TILT TRAY  
 - (1) RACK FOR 15 SCBA BOTTLES (5.5" SQUARE OPENINGS)  
 - (1) 42" DP FLOOR MOUNTED SLIDE OUT TRAY  
 - (1) STOKES BASKET RACK  
 - (1) RACK FOR 2 BACKBOARDS

**COMPARTMENT D3 CONTAINS:**  
 - (1) VERTICAL REAR WALL DIVIDER  
 - (2) 22" DP ADJ SHELVES

**COMPARTMENT D4 CONTAINS:**  
 - (1) VERTICAL REAR WALL DIVIDER  
 - (1) VERTICAL COMPARTMENT DIVIDER  
 - (2) 22" DP ADJ SHELVES  
 - (1) CIRCUIT BREAKER PANEL  
 - (1) GENERATOR METER PANEL  
 - (1) NIGHT SCAN CONTROLLER  
 - (1) ELECTRIC CORD REEL WITH 300' OF 10/4 YELLOW CORD  
 - (1) SLIDE OUT ROLLER GUIDE BRACKET  
 - (1) 20A, 120V FIREPOWER RECEPTACLE



**NOTE**  
 DIMENSIONS SHOWN ARE APPROXIMATE AND ARE SUBJECT TO MINOR DEVIATIONS AS MAY OCCUR OR BE NECESSARY IN CONSTRUCTION. MINOR DETAILS NOT SHOWN.

- NOTES:**
- ONSPOT AUTOMATIC TIRE CHAINS
  - AIR INLET WITH DISCONNECT COUPLING LOCATED IN DRIVER'S SIDE LOWER STEP WELL OF CAB
  - POLISHED 5/5 SCUFFPLATES ON CAB AND CREW CAB DOOR JAMBS
  - FLOOR IN CAB AND CREW CAB TO BE PADDED RUBBER
  - KUSSMIL 1200 CHARGER LOCATED BEHIND THE DRIVER'S SEAT
  - PULL STRAPS ON ALL BODY ROLL-UP DOORS
  - AMOR LED LIGHT STRIPS IN ALL BODY COMPARTMENTS
  - ONAN 25KW SINGLE PHASE PTO DRIVEN GENERATOR WITH SPLASH GUARD LOCATED BETWEEN THE FRAME RAILS

**STAINLESS STEEL BODY**

**CLEAR DOOR WIDTH KEY**

AMOR ROLL UP DOORS:	-1 7/8"
GORTITE ROLL UP DOORS:	-2 3/4"
PIERCE DOUBLE LIP DOORS:	-4 1/4"
PIERCE LIP-UP DOORS:	-1 1/2"

(EX: 60" F-F = 1 7/8" = 58 1/8" CLEAR)  
 (F-F) = FRAME TO FRAME

**CUSTOMER APPROVAL**

APPROVED BY: \_\_\_\_\_

DATE: \_\_\_\_\_

REV	DATE	BY	CH	MODEL
	29AUG16	DHE	AZU	SBRF6010

**Pierce MANUFACTURING INC.**

TITLE: ENCORE RESCUE VEHICLE  
 42.42.74.42

FOR: MIDDLESEX FIRE DISTRICT  
 MIDDLESEX, NY

DWG NO.: 29878AD

JOB NO.	29878
SCALE	1:24
DATE	
DRAWN BY	DHE
DATE	09AUG16
CHECKED BY	AZU
DATE	18AUG16
SHEET SIZE	D
SHEET NO.	1 OF 1