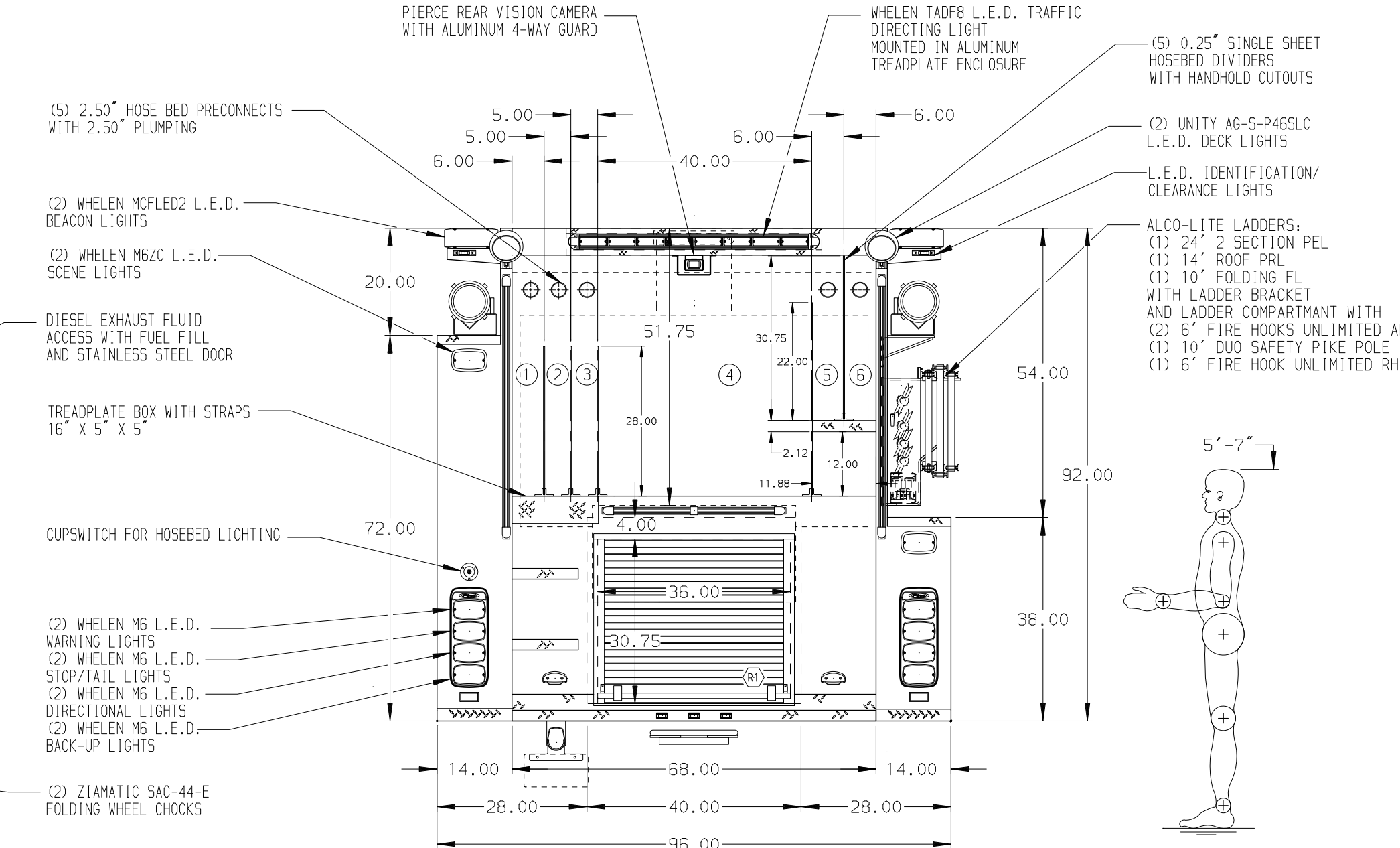
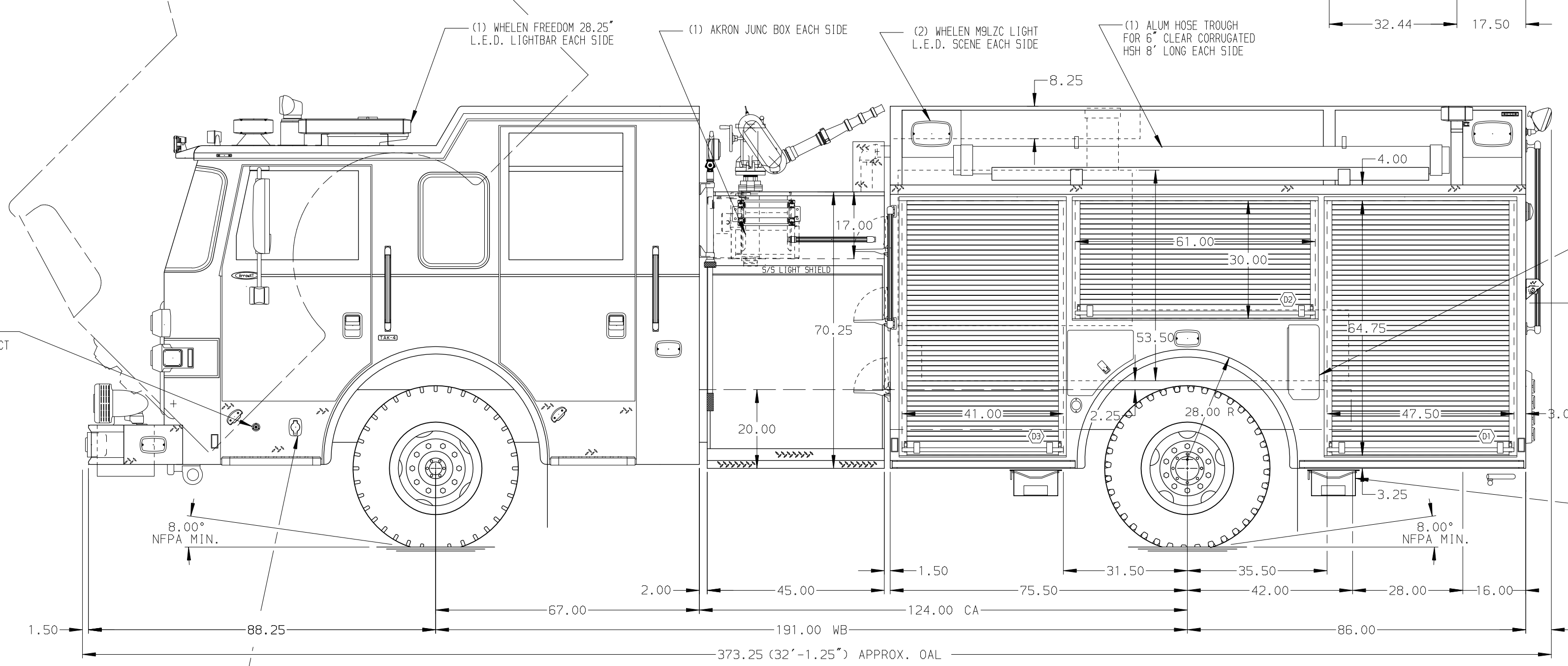


- HOSEBED CAPACITIES**
- ① 200' OF 2.50" D.J. POLY HOSE
  - ② 200' OF 1.75" D.J. POLY HOSE
  - ③ 250' OF 1.75" D.J. POLY HOSE
  - ④ 1300' OF 4.00" D.J. POLY HOSE
  - ⑤ 200' OF 1.75" D.J. POLY HOSE
  - ⑥ 200' OF 2.50" D.J. POLY HOSE



ALUMINUM BODY    MAXIMUM O.A.L. 373.25"    MAXIMUM O.A.H. 116.50"    SIDE ROLL AND FRONTAL IMPACT PROTECTION

**NOTE**  
DIMENSIONS SHOWN ARE APPROXIMATE AND ARE SUBJECT TO MINOR DEVIATIONS AS MAY OCCUR OR BE NECESSARY IN CONSTRUCTION. MINOR DETAILS NOT SHOWN.

- 1. ONSPOT AUTOMATIC TIRE CHAINS TO BE PROVIDED AT REAR
- 2. ALUMINUM TREADPLATE EXTERIOR REAR WALL OF CAB WITH FULL COVERAGE
- 3. S/S/TU SCUFFPLATE ON EACH CAB DOOR JAMB
- 4. MOUNTING BASE FOR ANTENNA LOCATED PER SHOP ORDER
- 5. (TWO) AMOUL AY-9750-020 20" L.E.D. LIGHT STRIPS LOCATED ON TRAFFIC DIRECTING MOUNT
- 6. BATTERY CHARGER LOCATED IN CREW CAB SEAT RISER
- 7. BATTERY CHARGE INDICATOR LOCATED NEAR D.S. SEAT RISER WITH BRACKET
- 8. PERIMETER SCENE LIGHTS LOCATED PER SHOP ORDER
- 9. ALUMINUM JUNCTION BOX HOLDER
- 10. ON SCENE SOLUTIONS NIGHT AXE 70035 63.00 L.E.D. LIGHT STRIP LOCATED IN HOSE BED
- 11. S/S/TU PROTECTIVE GUARD FOR ROLL-UP DOOR IN ALL COMPARTMENTS
- 12. AMOUL L.E.D. COMPARTMENT DUAL LIGHT STRIPS LOCATED PER SHOP ORDER
- 13. PAINTED SHELF TRACKS LOCATED IN COMPARTMENTS D1, D3, P1, AND P2
- 14. ONE FULL WIDTH/DEPTH PAINTED ADJUSTABLE SHELF IN COMPARTMENTS D1 LOWER, D3 LOWER, P1, AND P2
- 15. ONE SWING-OUT TOOL BOARD WITH PEGBOARD PATTERN IN COMPARTMENTS D1, D2, AND D3
- 16. DRI-DECK MATTING ON SHELVES/TRAYS IN COMPARTMENTS/SHELVES D1, D2, D3, P1, AND P2
- 17. ONE ALUMINUM PEGBOARD WITH TRACKS ON THE REAR WALL OF COMPARTMENTS D1, D2, D3
- 18. ALL FOLDING STEPS TO BE TRIDENT WITH INTEGRATED L.E.D. LIGHT UNLESS SPECIFIED
- 19. CIRCUIT BREAKER PANEL IN COMPARTMENT D3 HIGH AND FORWARD ON THE REAR WALL
- 20. ONE 120V 15A DUPLEX RECEPTACLE LOCATED IN EMS CABINET
- 21. ONE 120V 20A DUPLEX RECEPTACLE FOR GEN, LOCATED IN EMS CABINET
- 22. ONE 120V 6-PLACE RECEPTACLE TO BE LOCATED AT PRE-CONSTRUCTION CONFERENCE
- 23. DRI-DECK MATTING WITH BEVEL ON ALL COMPARTMENT FLOORS

REV	DATE	BY	CH	ARROWXT
130CT15	AMI	COR		CHASSIS DATA
25SEP15	TES	COR		MAKE
27AUG15	TES	CDU		PIERCE
25JUN15	TES	CDU		MODEL

		JOB NO.	29035
		SCALE	DATE
TITLE	2000-D-800P, 161" DS FH F&R, PS LOW, DELUGE GENERATOR, (2) CABLE REELS, LADDERS ON PS SIDE	DRAWN BY	TES
FOR	ENDWELL FIRE DISTRICT ENDWELL, NEW YORK	CHECKED BY	CDU
DWG NO.	29035AD	SHEET SIZE	SHEET NO.
		D	1 OF 1