

PASSENGER'S SIDE COMPARTMENTS CONTAIN THE FOLLOWING:

COMPARTMENT P1 CONTAINS:

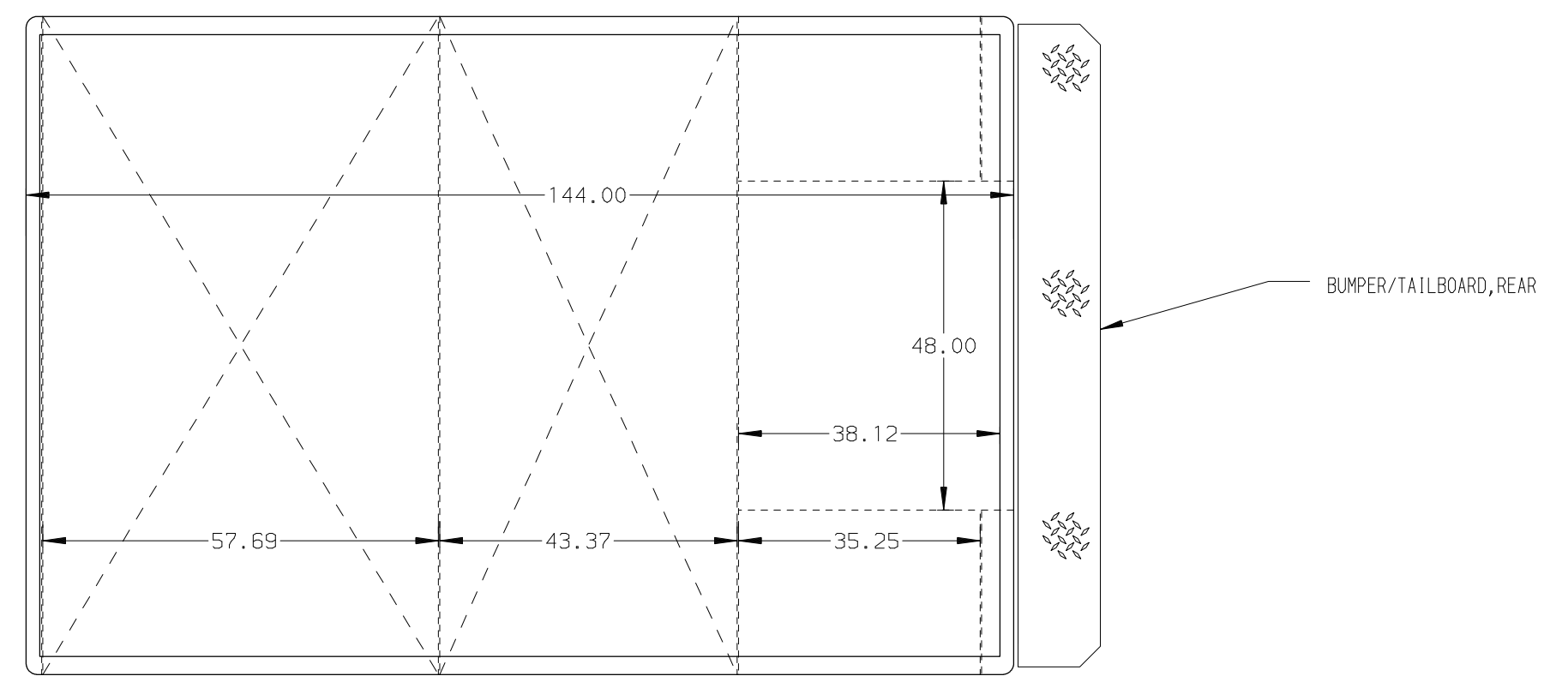
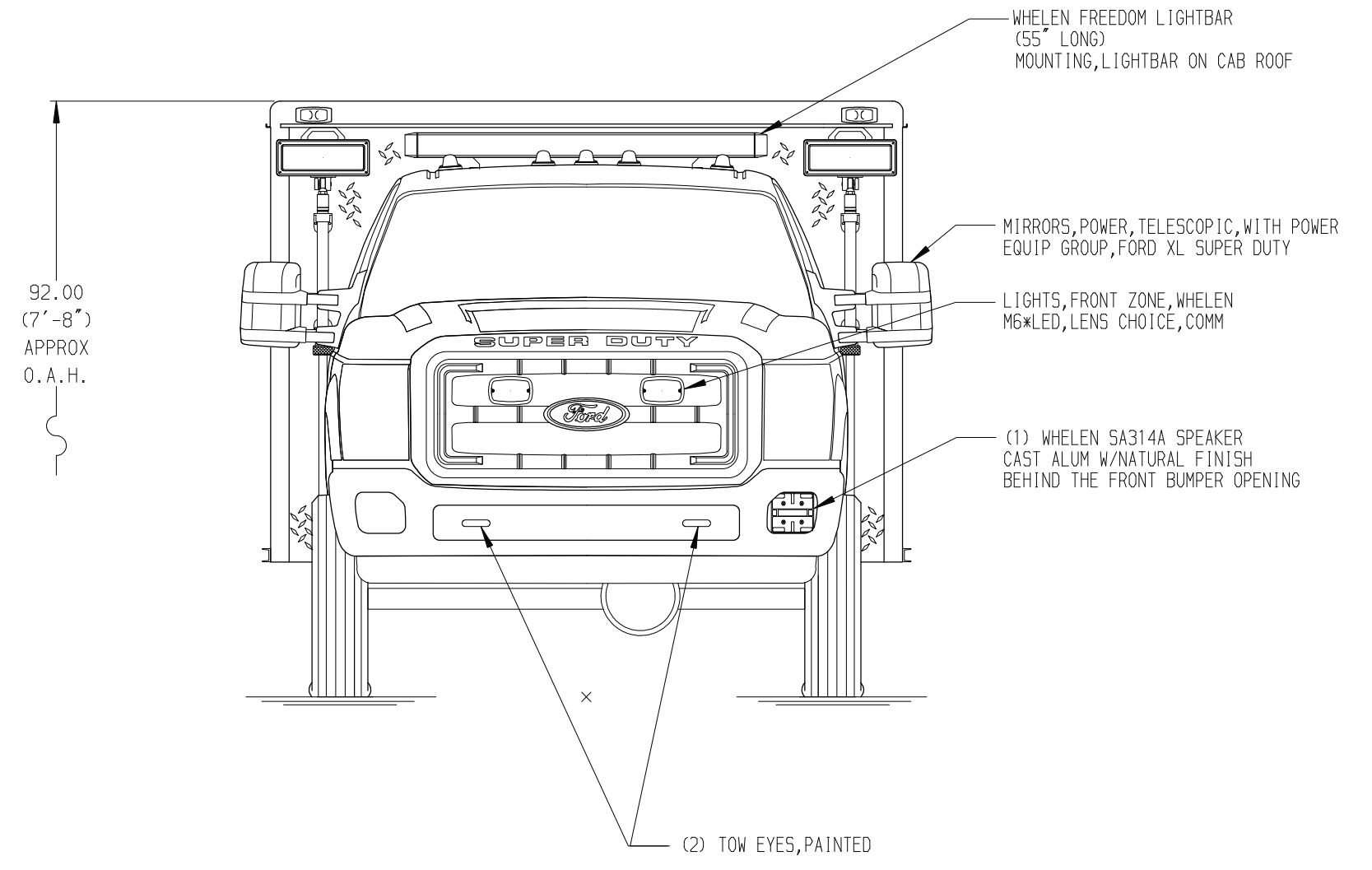
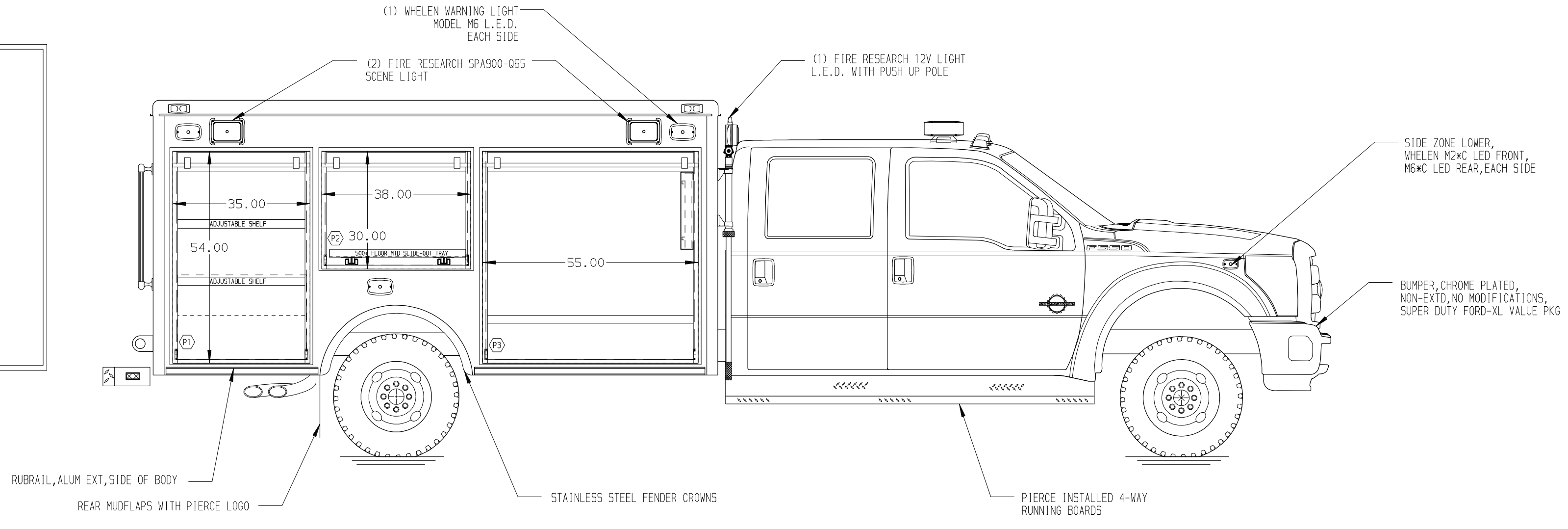
- (2) SHELVES, ADJUSTABLE, 215LB CAP, FULL WIDTH/DEPTH, 3/16", PAINTED

COMPARTMENT P2 CONTAINS:

- (1) TRAY, SLIDE-OUT, 1/2 TRANSVERSE COMPT, FLOOR MOUNTED, 500 LB CAPACITY

COMPARTMENT P3 CONTAINS:

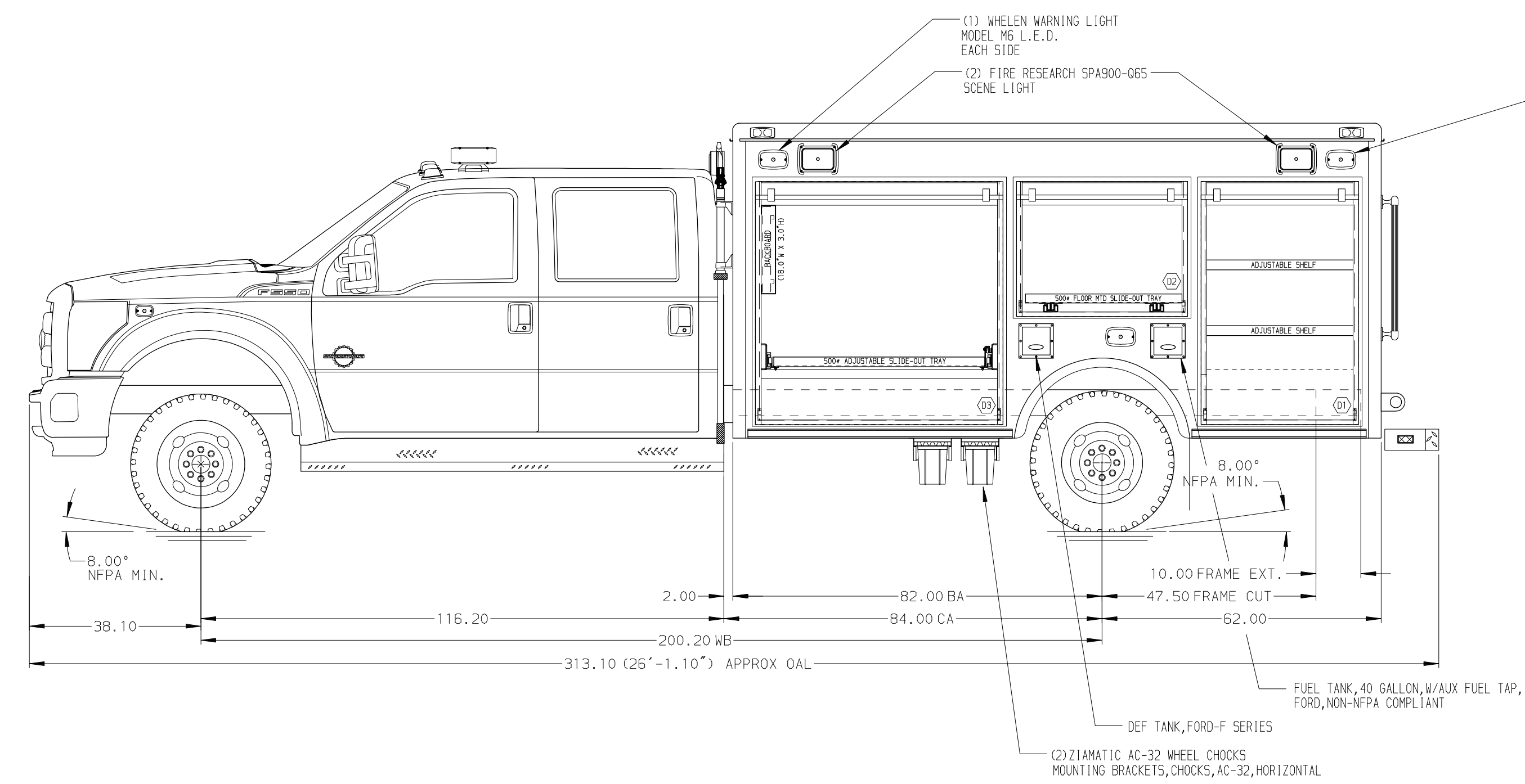
- (1) EXTENDED COMPARTMENT FLOORS BOLT IN STYLE
- (1) RACK, BACKBOARD STORAGE



REAR COMPARTMENT R1 CONTAINS THE FOLLOWING:

COMPARTMENT R1 CONTAINS:

- (1) TRAY SLIDE OUT, STD DEPTH, FLOOR MOUNTED, 500LB CAPACITY
- (1) TRAY SLIDE OUT, STD DEPTH, ADJUSTABLE HEIGHT, 500LB CAPACITY



DRIVER'S SIDE COMPARTMENTS CONTAIN THE FOLLOWING:

COMPARTMENT D1 CONTAINS:

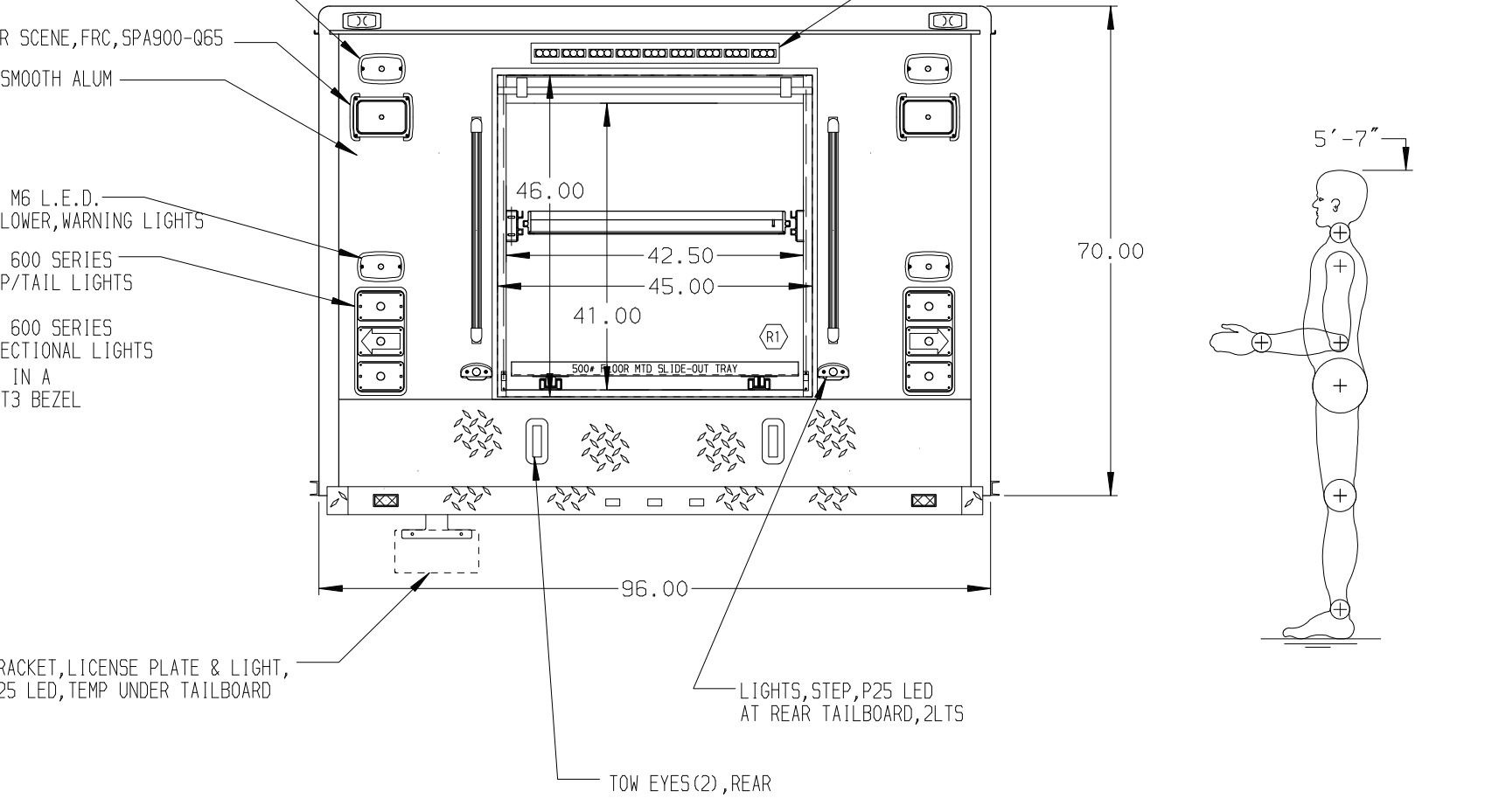
- (2) SHELVES, ADJUSTABLE, 215LB CAP, FULL WIDTH/DEPTH, 3/16", PAINTED

COMPARTMENT D2 CONTAINS:

- (1) TRAY, SLIDE-OUT, 1/2 TRANSVERSE COMPT, FLOOR MOUNTED, 500 LB CAPACITY

COMPARTMENT D3 CONTAINS:

- (1) EXTENDED COMPARTMENT FLOORS BOLT IN STYLE
- (1) TRAY, SLIDE-OUT, ONE-WAY, 2/3 DEPTH TRANS COMPT, FLOOR MOUNTED, 500 LB CAPACITY
- (1) RACK, BACKBOARD STORAGE



ALUMINUM BODY

NOTE
DIMENSIONS SHOWN ARE APPROXIMATE AND ARE SUBJECT TO MINOR DEVIATIONS AS MAY OCCUR OR BE NECESSARY IN CONSTRUCTION. MINOR DETAILS NOT SHOWN.

1. EXHAUST SYSTEM, DEF/SCR, HORIZONTAL EXHAUST, FORD SUPER DUTY
2. BATTERY CHARGER LOCATED IN COMPARTMENT D3
3. SHORELINE, 20A 120V, KUSSMAUL SUPER AUTO EJECT LOCATED DS FENDER PANEL
4. 5/8" PROTECTIVE GUARD FOR ROLL-UP DOOR LOCATED ALL COMPT DOORS (7)
5. FSC INSTALLED, TRAY, SLIDE-OUT, 1/3 DEPTH OF TRANS COMPT, FLOOR MFG, 500 LB LOCATED P3
6. UNPAINTED SHELF TRACKS IN COMPARTMENTS D1, P1
7. (1) DUPLEX RECEPTACLE 15A, LOCATION (2) HIGH ON FRONT WALL IN R1 AND (1) ON SIDE OF THE CAB CONSOLE

REV.	DATE	BY	CHK'D
18APR14	DTA	-	

<p>MANUFACTURING INC. BRADENTON, FLORIDA</p>		JOB NO.	27914
		DATE	SCALE 1:24
TITLE	12 FT CONTENDER RESCUE NON-WALKIN	26MAR14	DRAWN BY JAF
FOR	VILLAGE OF LIMA FIRE DEPARTMENT LIMA, NEY YORK	31MAR14	CHK'D BY JCH
DRWG. NO.	27914AD	SHEET NO.	1 OF 1
			SHEET SIZE D