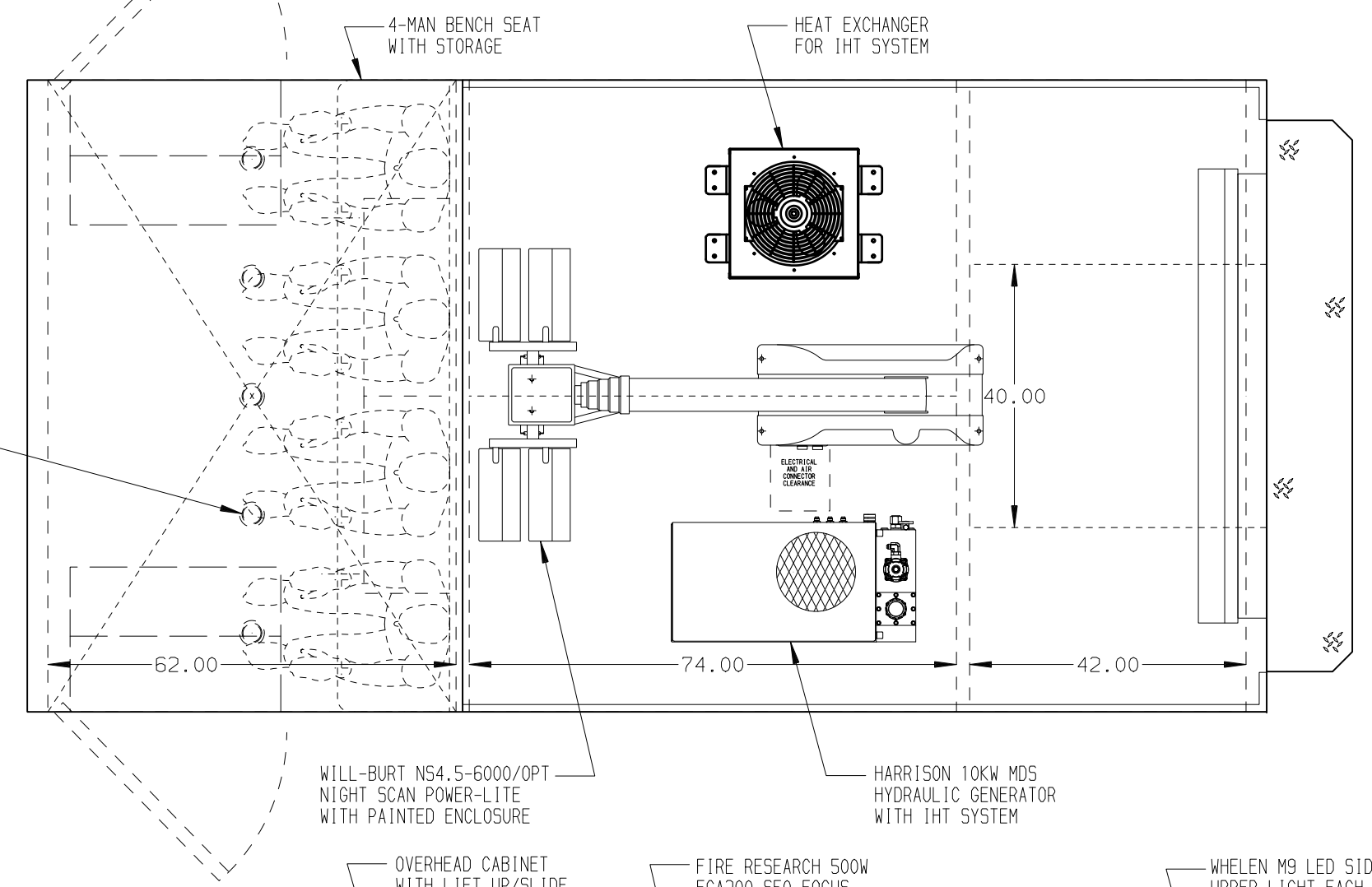
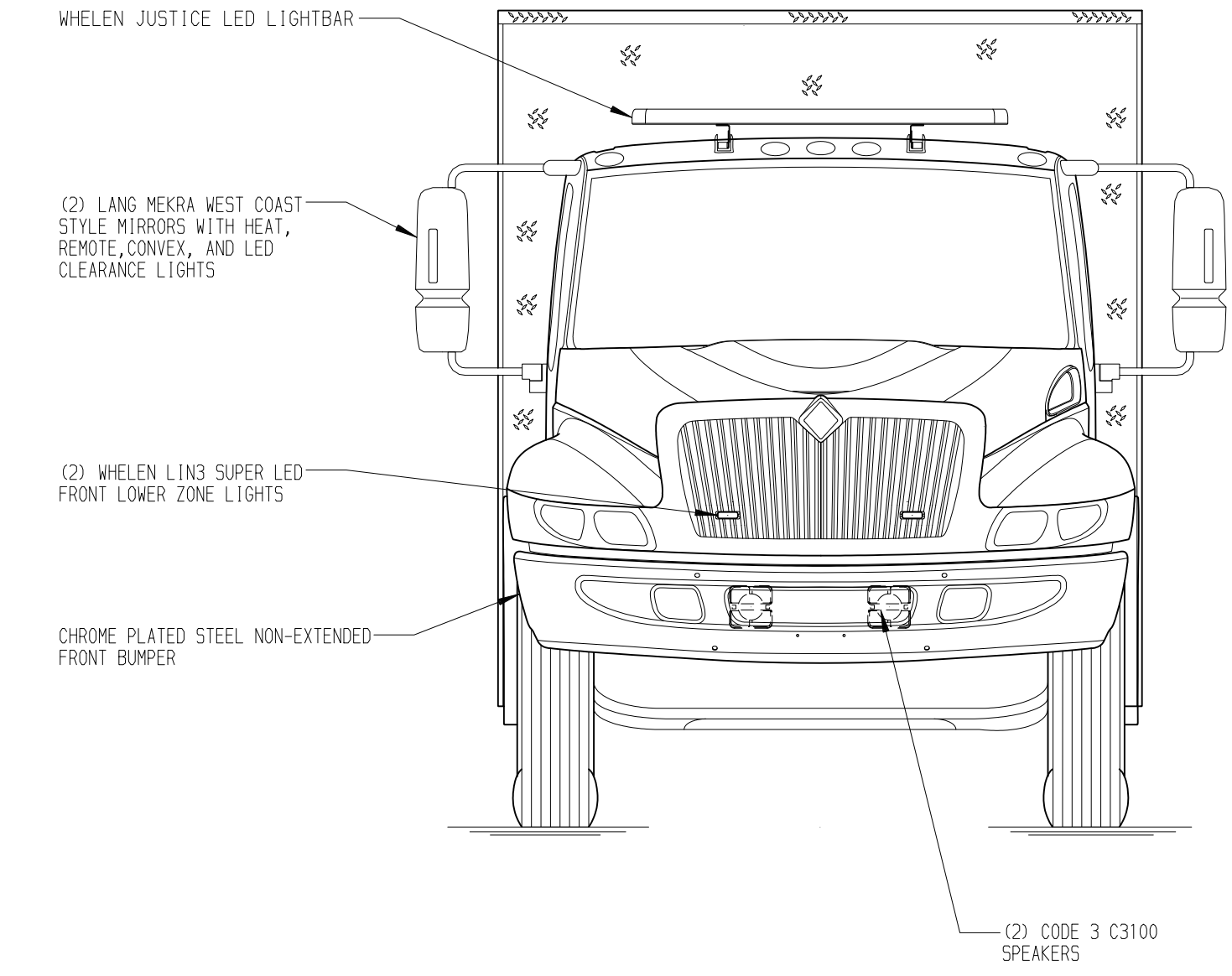
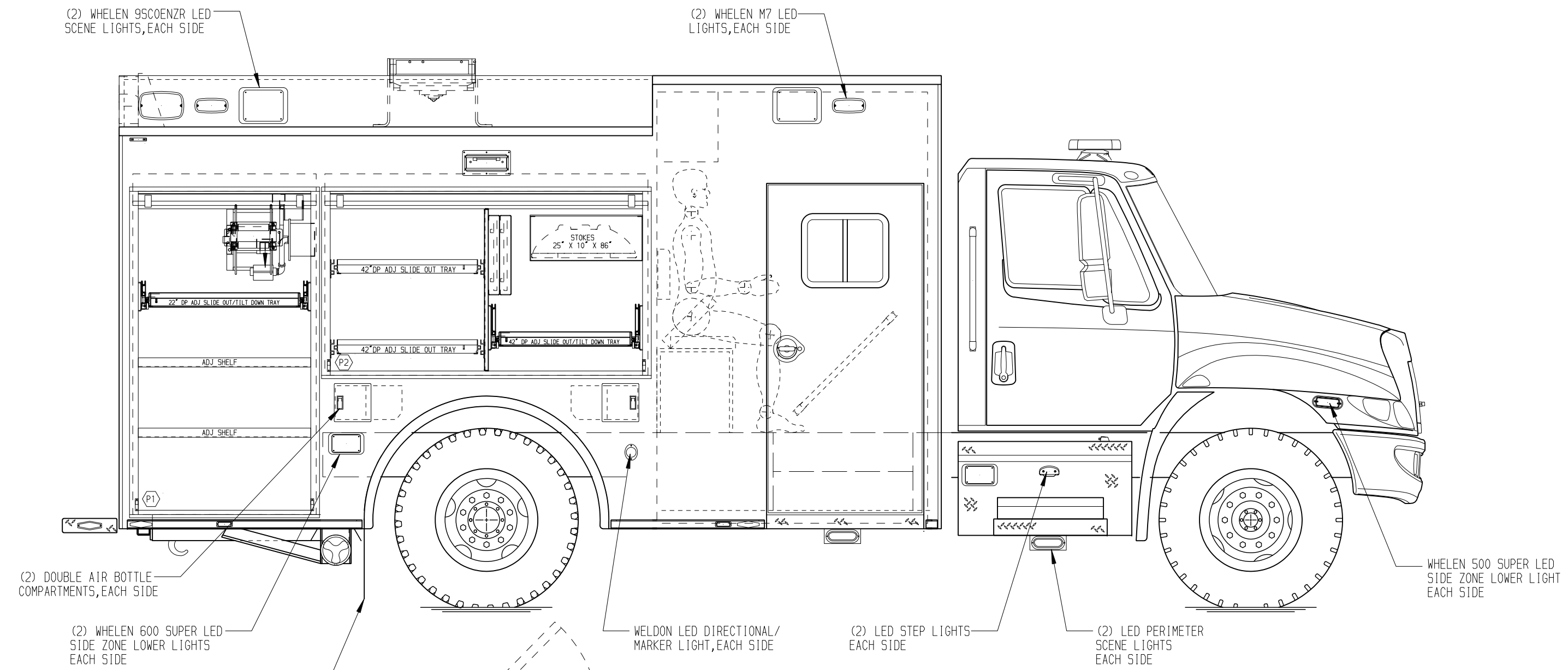


PASSENGER'S SIDE COMPARTMENTS CONTAIN THE FOLLOWING:

- COMPARTMENT P1 CONTAINS:
 - (1) 22" DP ADJ SLIDE OUT/TILT TRAY
 - (2) 22" DP ADJ SHELVES
 - (1) ELECTRIC CORD REEL W/150' OF 10/4 YELLOW CORD

- COMPARTMENT P2 CONTAINS:
 - (1) VERTICAL COMPARTMENT DIVIDER
 - (1) REAR WALL COMPARTMENT DIVIDER
 - (2) 42" DP ADJ SLIDE OUT TRAYS
 - (1) 42" DP ADJ SLIDE OUT/TILT TRAY
 - (1) RACK FOR STOKES BASKET
 - (1) RACK FOR 2 BACKBOARDS



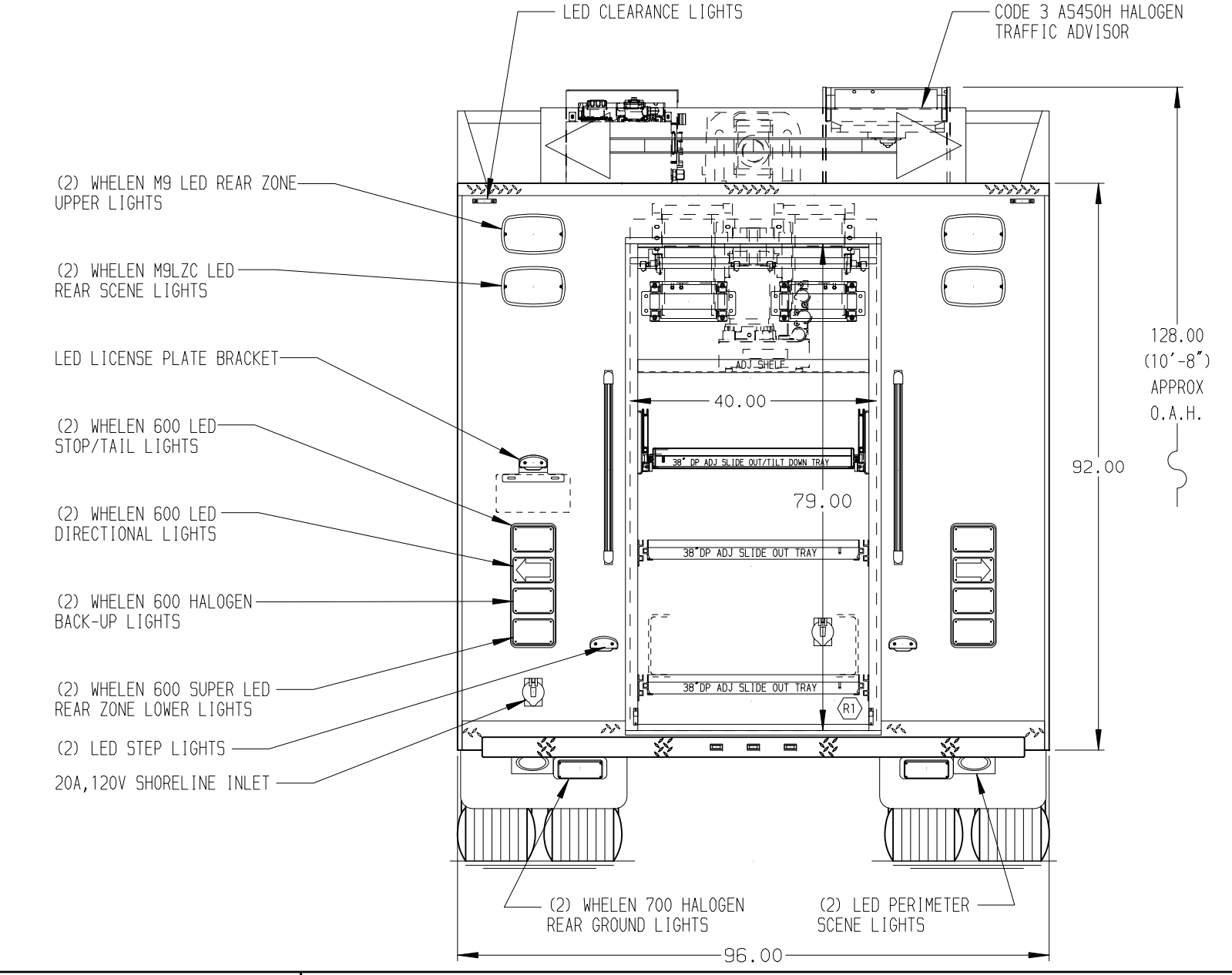
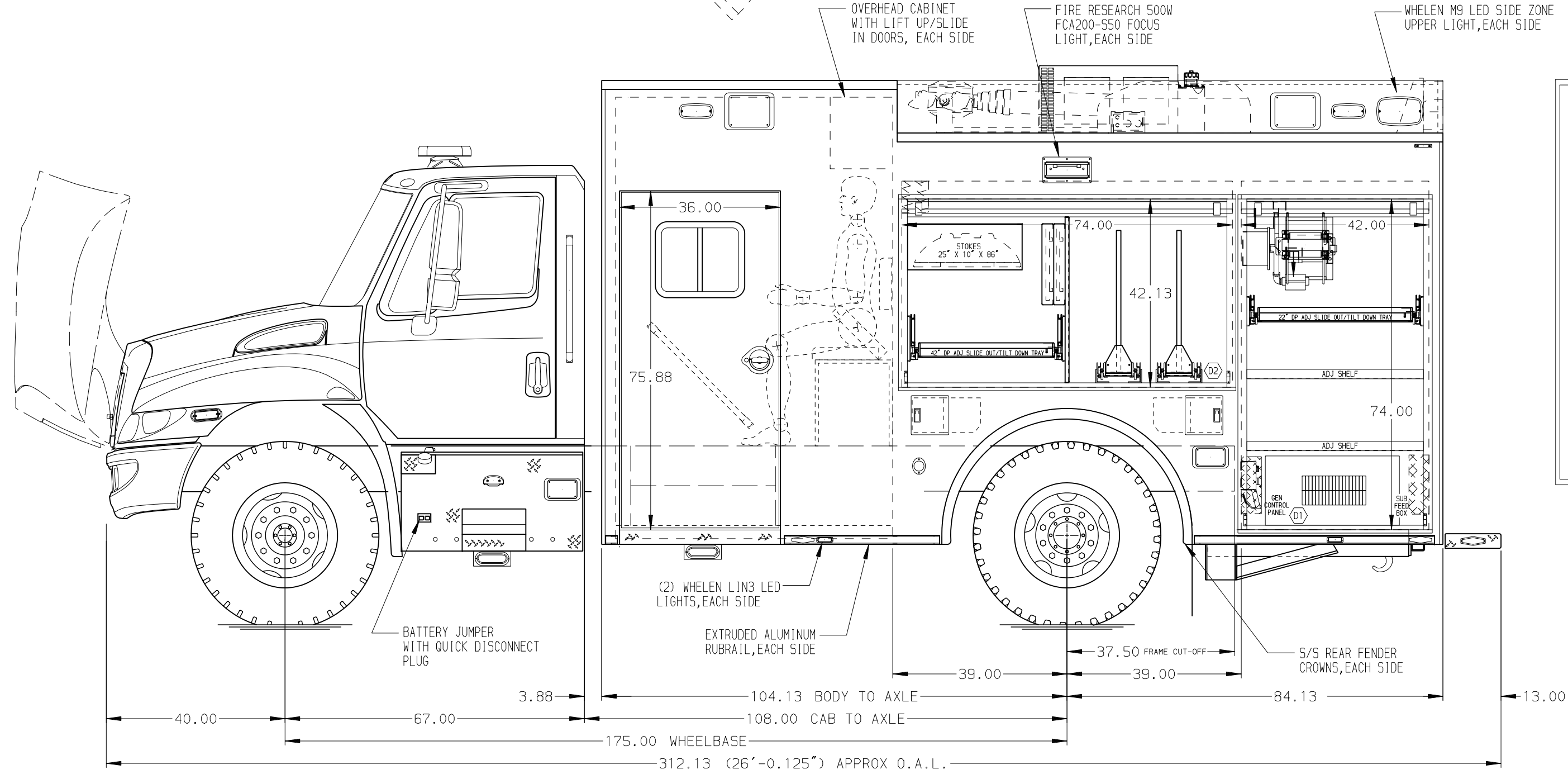
REAR COMPARTMENT CONTAINS THE FOLLOWING:

COMPARTMENT R1 CONTAINS:
 - (2) HYDRAULIC REELS W/100' OF HOSE
 - (3) 38" DP ADJ SLIDE OUT/TILT TRAY
 - (2) 38" DP ADJ SLIDE OUT TRAYS
 - (1) 30A, 240V T.L. RECEPTACLE (15" FROM FLOOR)
 - (1) 38" DP ADJ SHELF
 - (1) TNT HYDRAULIC POWER SUPPLY
 - (1) SWITCH FOR IHT HYDRAULIC SYSTEM

DRIVER'S SIDE COMPARTMENTS CONTAIN THE FOLLOWING:

- COMPARTMENT D1 CONTAINS:
 - (1) 22" DP ADJ SLIDE OUT/TILT TRAY
 - (2) 22" DP ADJ SHELVES
 - (1) ELECTRIC CORD REEL W/150' OF 10/4 YELLOW CORD
 - (1) CIRCUIT BREAKER PANEL
 - (1) GENERATOR METER PANEL
 - (1) SUB FEED BOX
 - (1) NIGHT SCAN CONTROLLER

- COMPARTMENT D2 CONTAINS:
 - (1) VERTICAL COMPARTMENT DIVIDER
 - (1) REAR WALL COMPARTMENT DIVIDER
 - (1) 42" DP ADJ SLIDE OUT/TILT TRAY
 - (2) 42" DP ADJ SLIDE OUT TOOLBOARDS WITH PAC TRAC ON BOTH SIDES
 - (1) RACK FOR 2 BACKBOARDS
 - (1) RACK FOR STOKES BASKET
 - (1) KUSSMAUL PUMP PLUS 1000 CHARGER



NOTE
 DIMENSIONS SHOWN ARE APPROXIMATE AND ARE SUBJECT TO MINOR DEVIATIONS AS MAY OCCUR OR BE NECESSARY IN CONSTRUCTION. MINOR DETAILS NOT SHOWN.

- NOTES:**
- BATTERY CHARGE INDICATOR LOCATED ON DRIVER'S SEAT RISER
 - ALUMINUM TREADPLATE ON FRONT SHEET OF BODY
 - PULL STRAPS ON ALL BODY ROLL-UP DOORS
 - ALUMINUM TREADPLATE ON FLOOR IN CREW AREA
 - TURTLE TILE MATTING ON EACH SIDE OF THE TOOLBOARDS, FLOOR REAR OF CENTER DIVIDER, AND IN TRAYS IN COMPTS D2/P2, D1/P1, AND R1 (DTF)
 - WINDOW OPENING BETWEEN CAB AND CREW AREA
 - (2) DRY ERASE BOARDS ON EACH SIDE OF WINDOW OPENING IN CREW AREA
 - AMOR DUAL LED LIGHT STRIPS IN ALL BODY COMPARTMENTS
 - 20A, 120V 6-PLACE RECEPTACLE AND (2) DUPLEX RECEPTACLES LOCATED IN CREW AREA

STAINLESS STEEL BODY

CUSTOMER APPROVAL			
APPROVED BY:			
DATE:			
REV	DATE	BY	CH
	10JUL13	DHE	-
	16MAY13	ALZ	AZU
			4300

Pierce MANUFACTURING INC.

TITLE: ENCORE RESCUE VEHICLE
 CMD. 74.42

FOR: EAST PEMBROKE FIRE DISTRICT
 EAST PEMBROKE, NY

DWG NO. 26927AD

JOB NO.	26927
SCALE	1:24
DATE	
DRAWN BY	DHE
CHECKED BY	AZU
SHEET NO.	1 OF 1