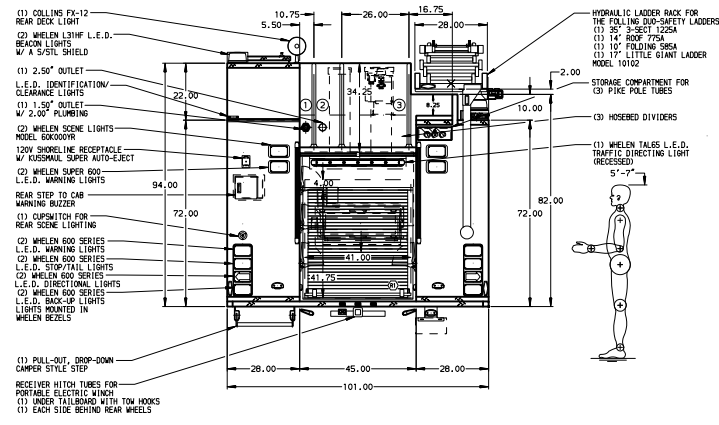


- HOSEBED CAPACITIES
- ① 300' OF 1.75" D.J. HOSE
 - ② 300' OF 2.50" D.J. HOSE
 - ③ 1000' OF 5.00" RUBBER HOSE



ALUMINUM BODY

MAXIMUM O.A.H. 134.00"

NOTE
DIMENSIONS SHOWN ARE APPROXIMATE AND ARE SUBJECT TO MINOR DEVIATIONS AS MAY OCCUR OR BE NECESSARY IN CONSTRUCTION.
MINOR DETAILS NOT SHOWN.

1. MOUNTING BASES FOR ANTENNAS LOCATED PER SHOP ORDER
2. PIERCE LOGO MOUNTS FRONT AND REAR
3. BATTERY CHARGER LOCATED BEHIND DRIVER'S SEAT
4. BATTERY CHARGE INDICATOR LOCATED ON D.O.S. SEAT RISER WITH BROWSET
5. PERIMETER SCENE LIGHTS LOCATED PER SHOP ORDER
6. S/SOL FENDER CRIMPS FRONT AND REAR
7. ALL FOLDING STEPS TO BE TRIDENT WITH INTEGRATED L.E.D. LIGHT UNLESS SPECIFIED
8. AIR INLET W/ DISCONNECT LOCATED IN DRIVER'S STEP WELL
9. AIR OUTLET W/ SHUT OFF VALVE LOCATED ON DS PUMP PANEL
10. WHELEN L.E.D. HOSEBED LIGHTING LOCATED ON SIDES OF HOSEBED

11. THREE 120 DUPLEX RECEPTACLES CONNECTED TO SHORELINE LOCATED IN CAB

CUSTOMER APPROVAL	
APPROVED BY:	
DATE:	
CHASSIS DATA	TITLE
MAKE	1250-D-750P W/20 GAL FOAM CELL, 174" HDRP BODY
PIERCE	(2) SPEEDLAYS, (1) DEADLAY, HLR, DELUGE, GENERATOR
MODEL	FOR WEST SENECA FIRE DISTRICT 6
IMPEL7010	WEST SENECA, NEW YORK
REV	DWG NO. 26590AD-SH1

Pierce MANUFACTURING INC.		JOB NO.	26590
SCALE	1:24	DATE	
DRAWN BY	COL	DWG NO.	27DEC12
DESIGNED BY	SHA	DWG NO.	28DEC12
SHEET NO.	D	SHEET NO.	1 OF 2