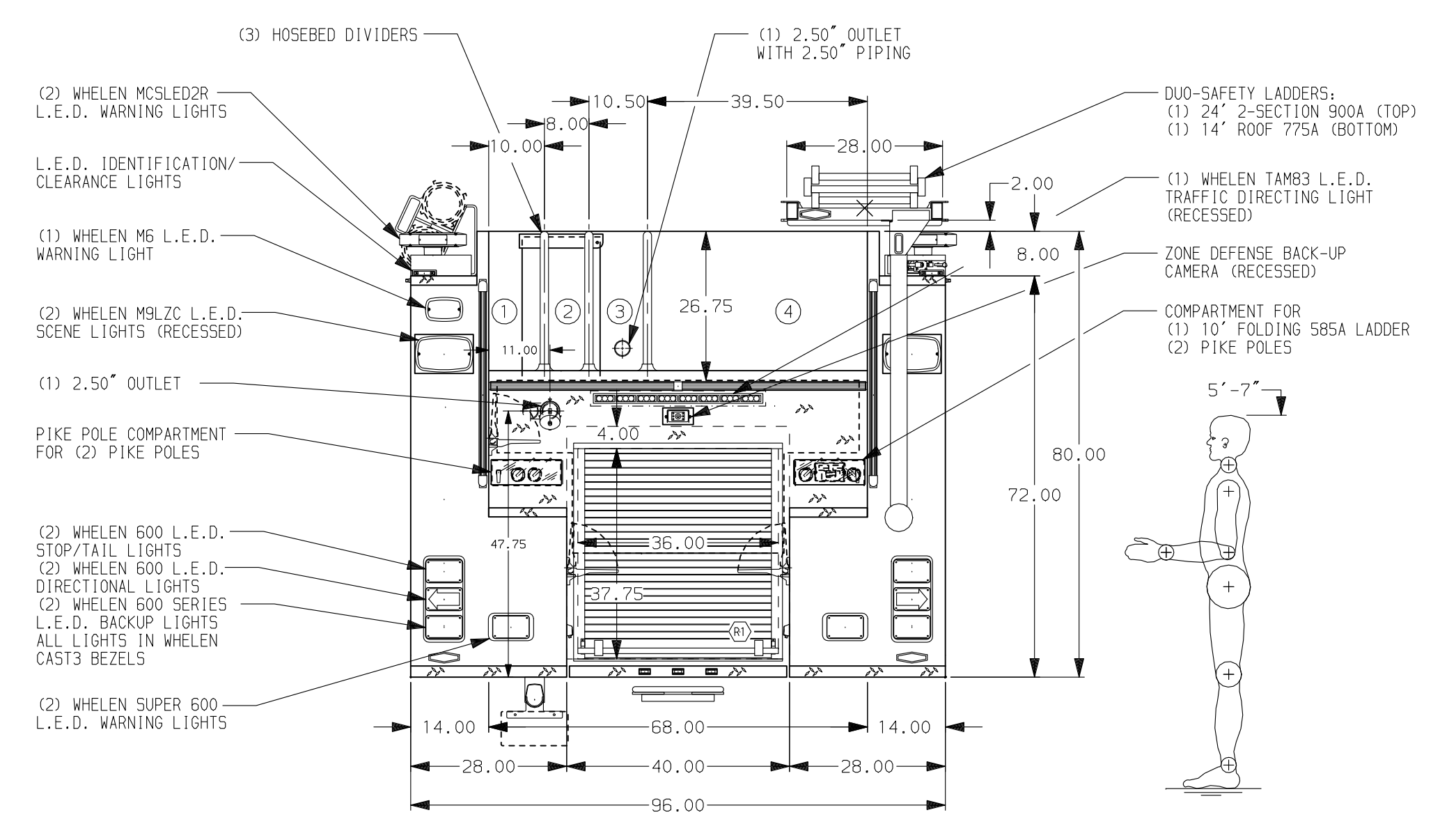
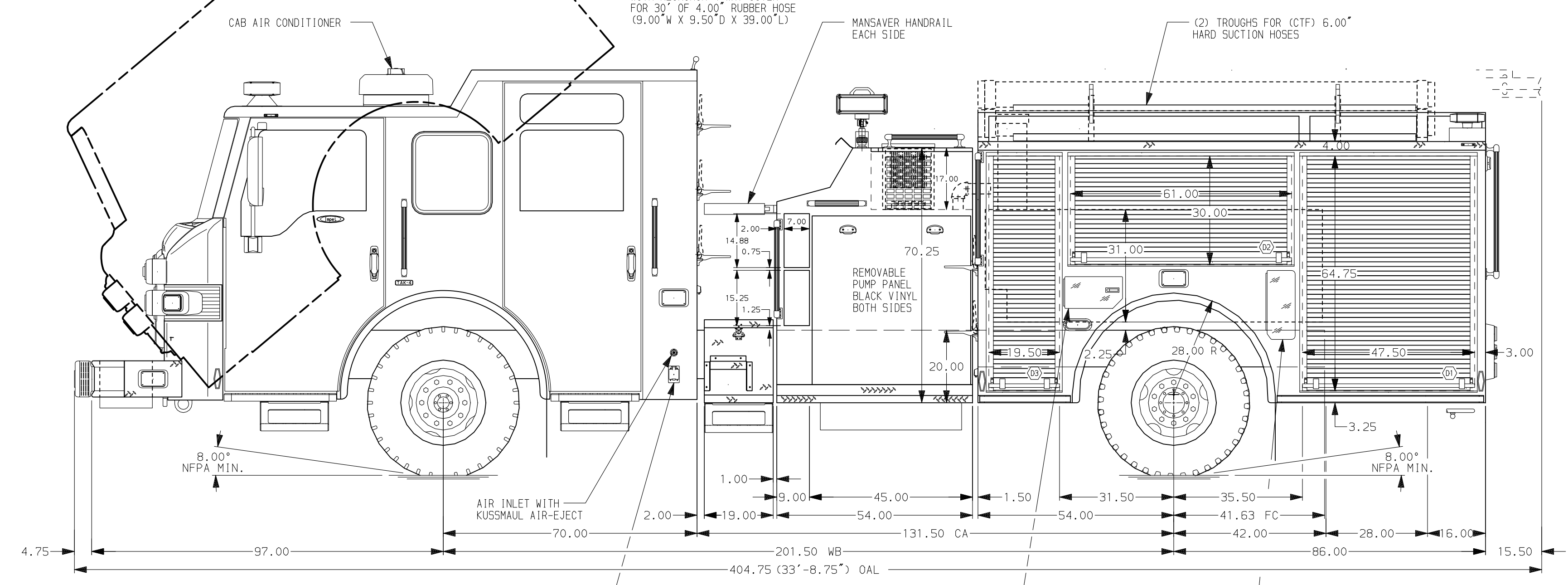
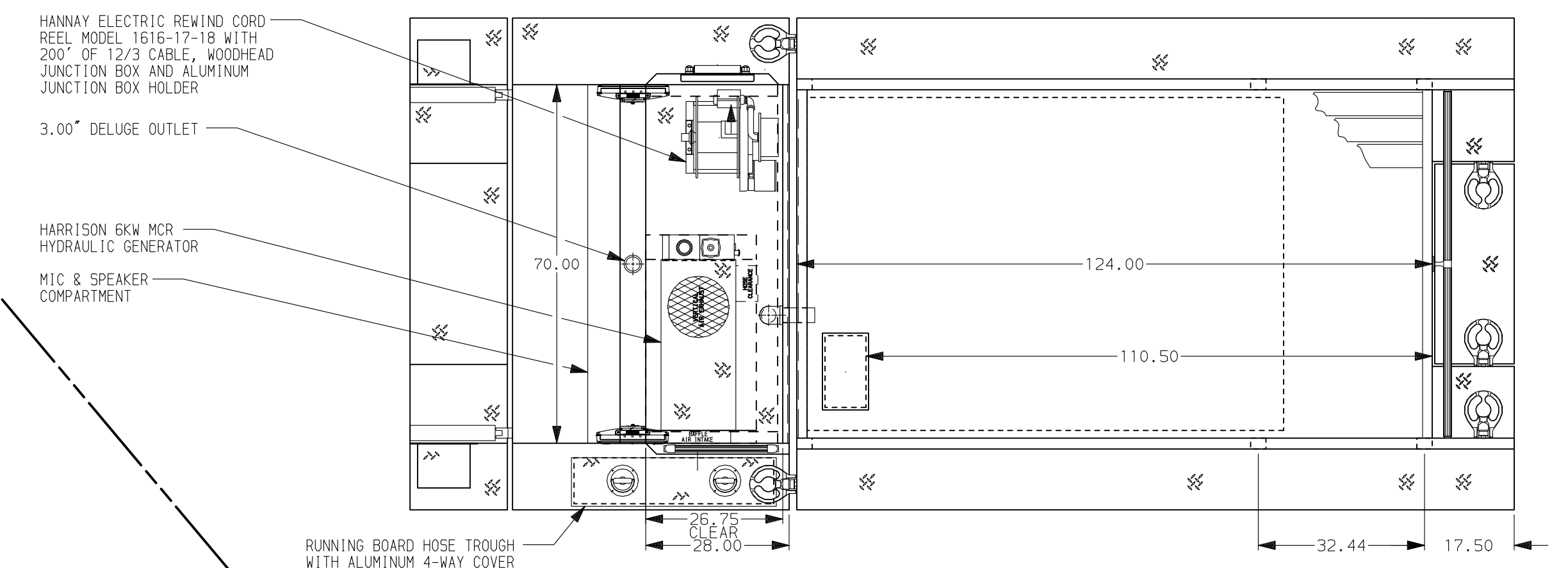


- HOSEBED CAPACITIES**
- ① 300' OF 2.50" D.J. HOSE
 - ② 500' OF 1.75" D.J. HOSE
 - ③ 200' OF 2.50" D.J. HOSE
 - ④ 1200' OF 4.00" RUBBER HOSE



STAINLESS STEEL BODY

FRONT IMPACT PROTECTION

NOTE
DIMENSIONS SHOWN ARE APPROXIMATE AND ARE SUBJECT TO MINOR DEVIATIONS AS MAY OCCUR OR BE NECESSARY IN CONSTRUCTION. MINOR DETAILS NOT SHOWN.

1. S/STL SCUFFPLATE ON EACH CAB DOOR JAMB
2. MOUNTING BASES FOR ANTENNAS LOCATED PER SHOP ORDER
3. KUSSMAUL 1200 BATTERY CHARGER LOCATED BEHIND DRIVER'S SEAT
4. BATTERY CHARGER INDICATOR LOCATED ON D.S. SEAT RISER WITH BRACKET
5. PERIMETER SCENE LIGHTS LOCATED PER SHOP ORDER
6. S/STL PROTECTIVE GUARD FOR ALL ROLL-UP DOORS
7. AMOR L.E.D. COMPARTMENT DUAL LIGHT STRIPS LOCATED PER SHOP ORDER
8. ONE FULL WIDTH/DEPTH PAINTED ADJUSTABLE SHELF IN COMPARTMENT P3; TWO IN D1 & P1
9. ONE FLOOR MOUNTED SLIDE-OUT TRAY IN COMPARTMENT R1
10. SWING-OUT TOOL BOARD WITH PEGBOARD PATTERN IN COMPARTMENT P2
11. PAC TRAC ON THE REAR WALL OF COMPARTMENT P3
12. COMPARTMENT VENTILATION SYSTEM WITH TIMER
13. CIRCUIT BREAKER PANEL IN COMPARTMENT D3
14. STAINLESS STEEL FENDER CROWNS FRONT AND REAR
15. PIERCE LOGO MUDFLAPS FRONT AND REAR
16. ALUMINUM 4-WAY ON CREW CAB ROOF OF CAB
17. AMOR LUMBAR L.E.D. 120 STRIP LIGHT IN HOSEBED
18. SHELF TRACKS IN COMPARTMENTS D1, D3, P1 & P3

CUSTOMER APPROVAL

APPROVED BY: _____
DATE: _____

REV	DATE	BY	CH	IMP7010



TITLE	FOR	DWG NO.
1500-D-500 GAL. POLY, 140" FULL HEIGHT FDLER BODY (2) SPEEDLAYS, HLR, DELUGE, GENERATOR, CABLE REEL <td>CITY OF GENEVA GENEVA, NEW YORK <td>25480AD</td> </td>	CITY OF GENEVA GENEVA, NEW YORK <td>25480AD</td>	25480AD

JOB NO.	25480
SCALE	1:24
DATE	
DRAWN BY	NPA
CHECKED BY	SHA
SHEET SIZE	D
SHEET NO.	1 OF 1