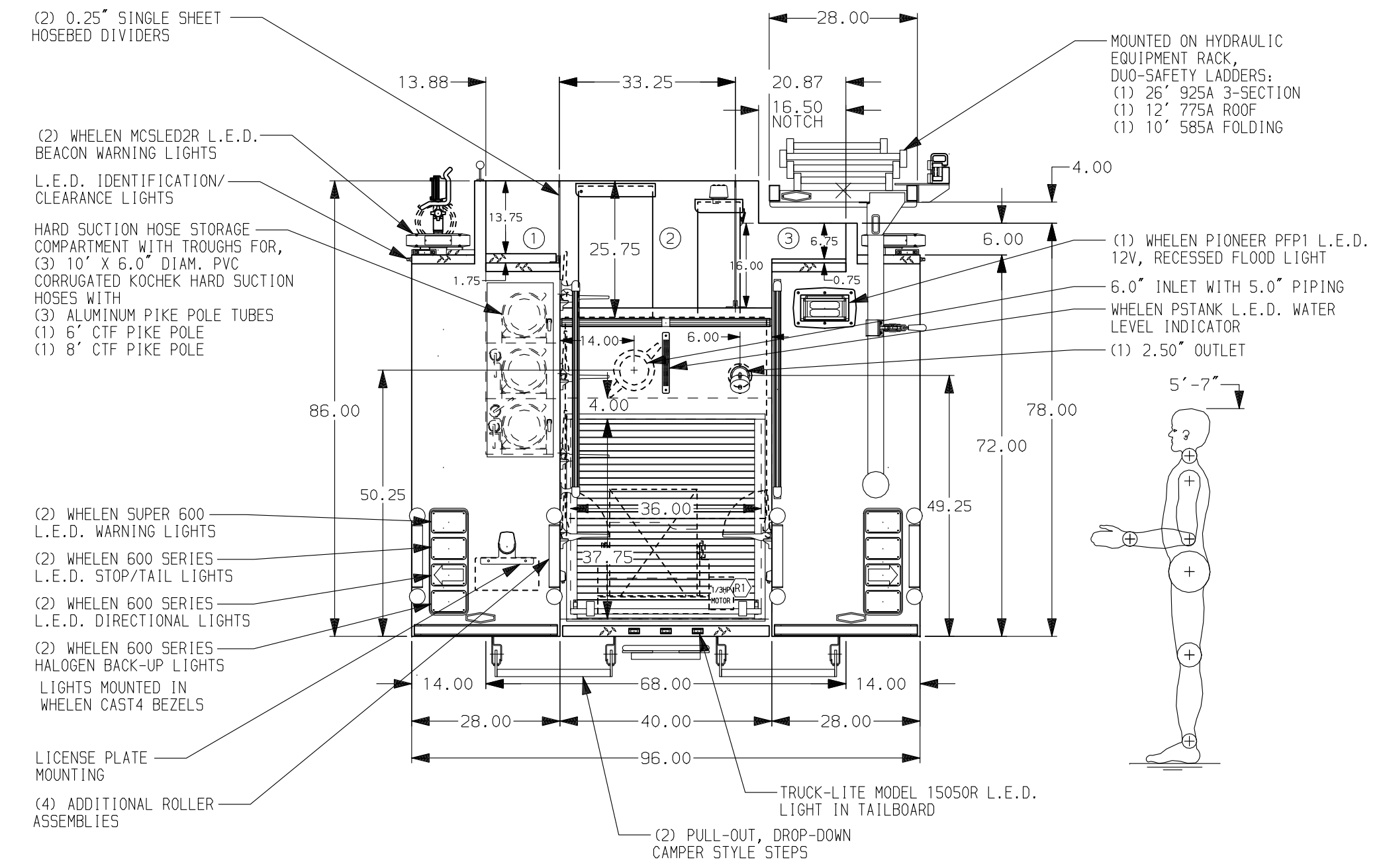


- HOSEBED CAPACITIES
- ① 550' OF 2.50" D.J. POLY HOSE
 - ② 1200' OF 5.0" SNAP-TITE RUBBER HOSE
 - ③ 300' OF 3.00" D.J. POLY HOSE



STAINLESS STEEL BODY

MAXIMUM O.A.L. 324.00"

MAXIMUM O.A.H. 124.00"

NOTE
DIMENSIONS SHOWN ARE APPROXIMATE AND ARE SUBJECT TO MINOR DEVIATIONS AS MAY OCCUR OR BE NECESSARY IN CONSTRUCTION. MINOR DETAILS NOT SHOWN.

- NOTES:**
1. AIR INLET WITH DISCONNECT LOCATED ON D.S. PUMP PANEL
 2. CTF WHEEL CHOCKS AND MOUNTING BRACKETS
 3. VEHICLE DATA RECORDER
 4. KUSUMAIL BATTERY CHARGER LOCATED IN COMPARTMENT D3
 5. BATTERY CHARGE INDICATOR LOCATED ON D.S. SEAT RISER
 6. S/STL PROTECTIVE GUARD FOR ROLL-UP DOOR LOCATED IN ALL REAR BODY COMPTS.
 7. ONE FLOOR MOUNTED SLIDE-OUT TRAY IN COMPARTMENT D1, D3, P1 & P3
 8. SALES TO FURNISH TURTLE TILE MATTING ON APPLICABLE SHELVES AND TRAYS
 9. ONE ADJUSTABLE SHELF IN COMPARTMENT D1-UPPER, P1-UPPER, P2-UPPER & P3-UPPER
 10. TWO ADJUSTABLE SHELVES IN COMPARTMENT D3-(1-UPPER, 1-LOWER)
 11. ONE SHELF TRACK SET IN COMPARTMENT D1, D3, P1, P2 & P3
 12. PERIMETER SCENE LIGHTS LOCATED PER SHOP ORDER
 13. CIRCUIT BREAKER PANEL IN COMPARTMENT D3
 14. ONE 120V STRAIGHT BLADE DUPLEX RECEPTACLE IN COMPARTMENT D3 & P3
 15. SHORELINE RECEPTACLE LOCATED ON D.S. PUMP PANEL
 16. CUSTOMER PROVIDED TWO-WAY RADIO ANTENNA
 17. ONE HANNAY ELECTRIC REWIND STORAGE REEL WITH NO PLUMBING (EPC24-23-24) AND CAPACITY FOR 600' OF 1.0" COLLAPSABLE FORESTRY HOSE WITH 1/3 HP MOTOR AND ROLLER GUIDE ASSEMBLY INSIDE COMPARTMENT R1

CUSTOMER APPROVAL			
APPROVED BY:			
DATE:			
		CHASSIS DATA	
		MAKE	
		PIERCE	
		MODEL	
		IHC 7000	
		4x4	

Pierce MANUFACTURING INC.

TITLE: 1500-D-500P 152 BDY F.H.T./FRT & REAR-DS,F.H.T.& DEPTH
 HYD GEN,CABLE REEL,30G FOAM CELL,HUSKY 12
 FOR: MIDDLESEX FIRE DISTRICT
 MIDDLESEX, NY

DWG NO. 23589AD

JOB NO.	23589
SCALE	1:24
DATE	
DRAWN BY	PVA
CHECKED BY	SHA
SHEET SIZE	D
SHEET NO.	1 OF 1