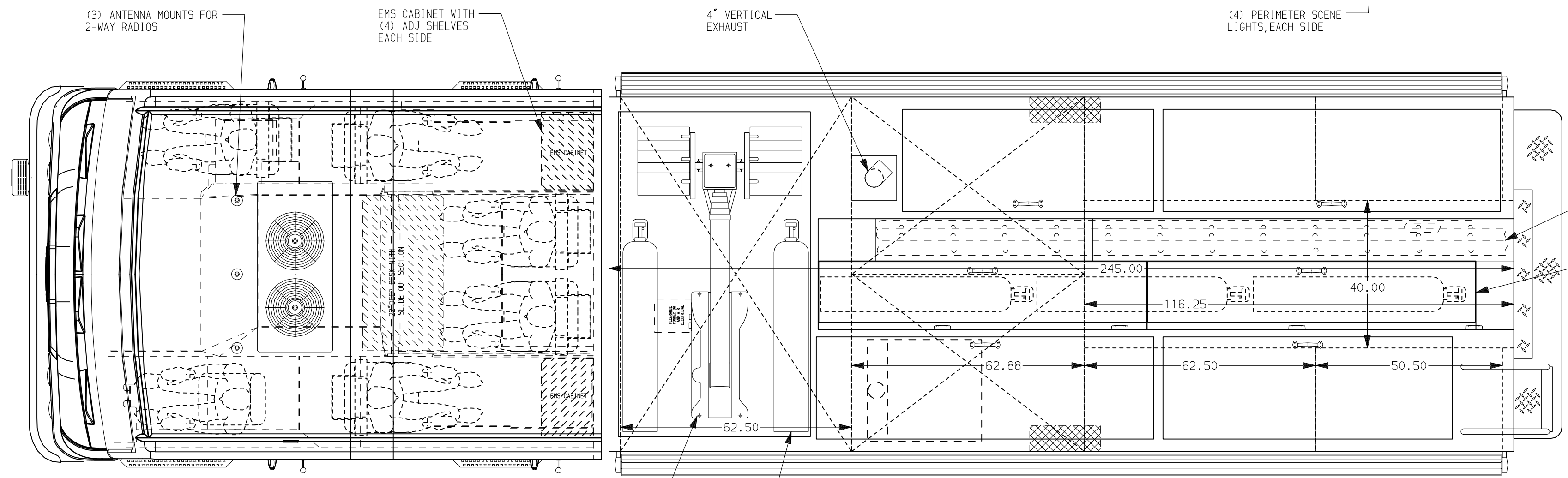
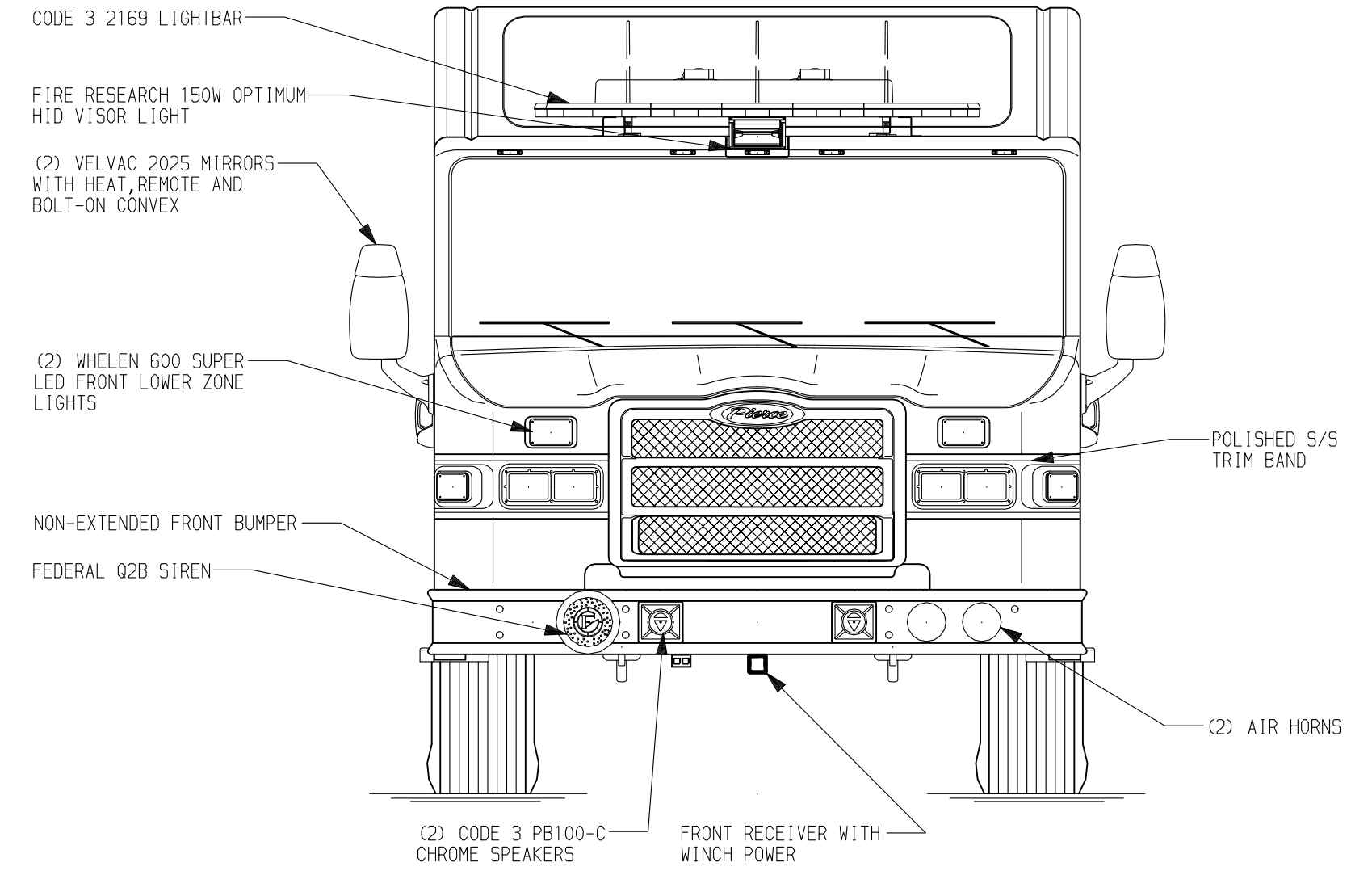
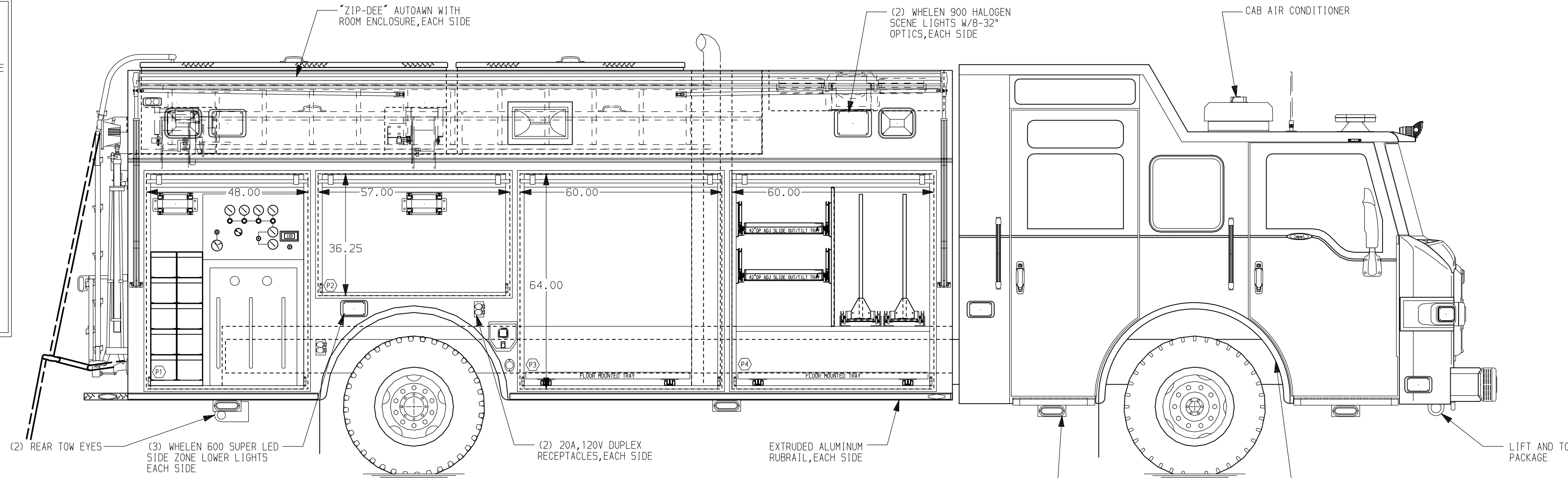
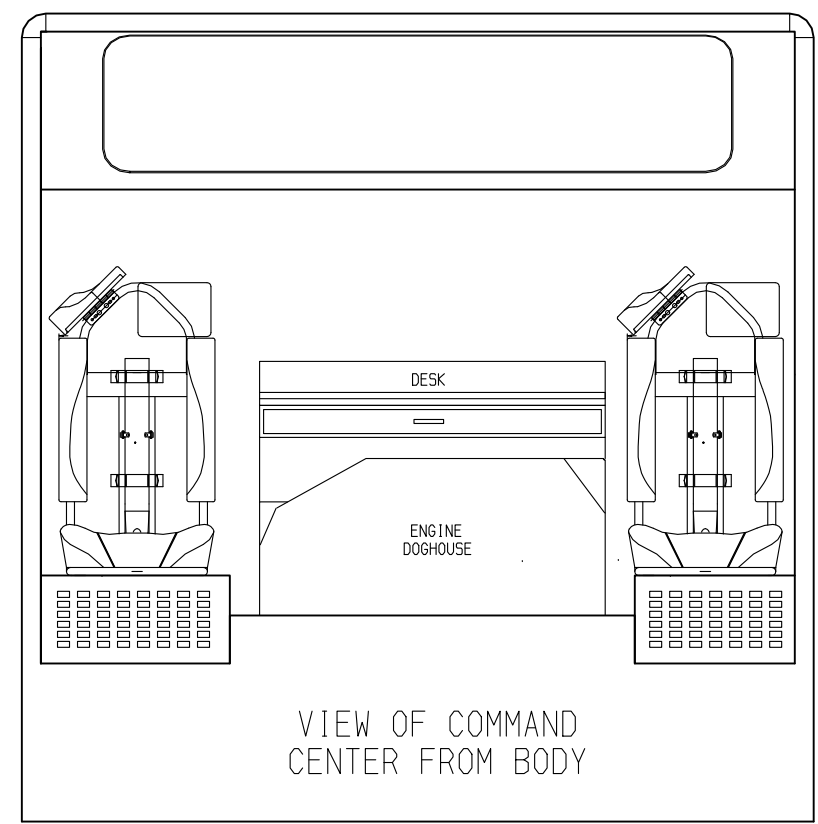


PASSENGER'S SIDE COMPARTMENTS CONTAIN THE FOLLOWING:

- COMPARTMENT P1 CONTAINS:
 - (1) REVOLVE AIR 2-BOTTLE FILL ENCLOSURE
 - (1) ELECTRIC CORD REEL W/150' OF 10/3 YELLOW CORD
 - (1) RACK FOR 10 SCBA BOTTLES (7.5" SQ OPENINGS)
 -
 COMPARTMENT P2 CONTAINS:
 - (1) LOW PRESSURE AIR REEL WITH 150' OF HOSE
 -
 COMPARTMENT P3 CONTAINS:
 - (1) FLOOR MOUNTED TRAY
 -
 COMPARTMENT P4 CONTAINS:
 - (1) HORIZONTAL FLOOR EXTENSION
 - (2) 42" DP ADJ SLIDE OUT/TILT TRAYS
 - (1) FLOOR MOUNTED TRAY
 - (2) 42" DP ADJ SLIDE OUT TOOLBOARDS
 - (1) VERTICAL COMPARTMENT DIVIDER



- REAR COMPARTMENT CONTAINS THE FOLLOWING:**
- COMPARTMENT R1 CONTAINS:
 - (1) STOKES BASKET RACK
 - (1) RACK FOR 3 PIKE POLES
 - (2) 90" DP ADJ SLIDE OUT TRAYS
 -
 -

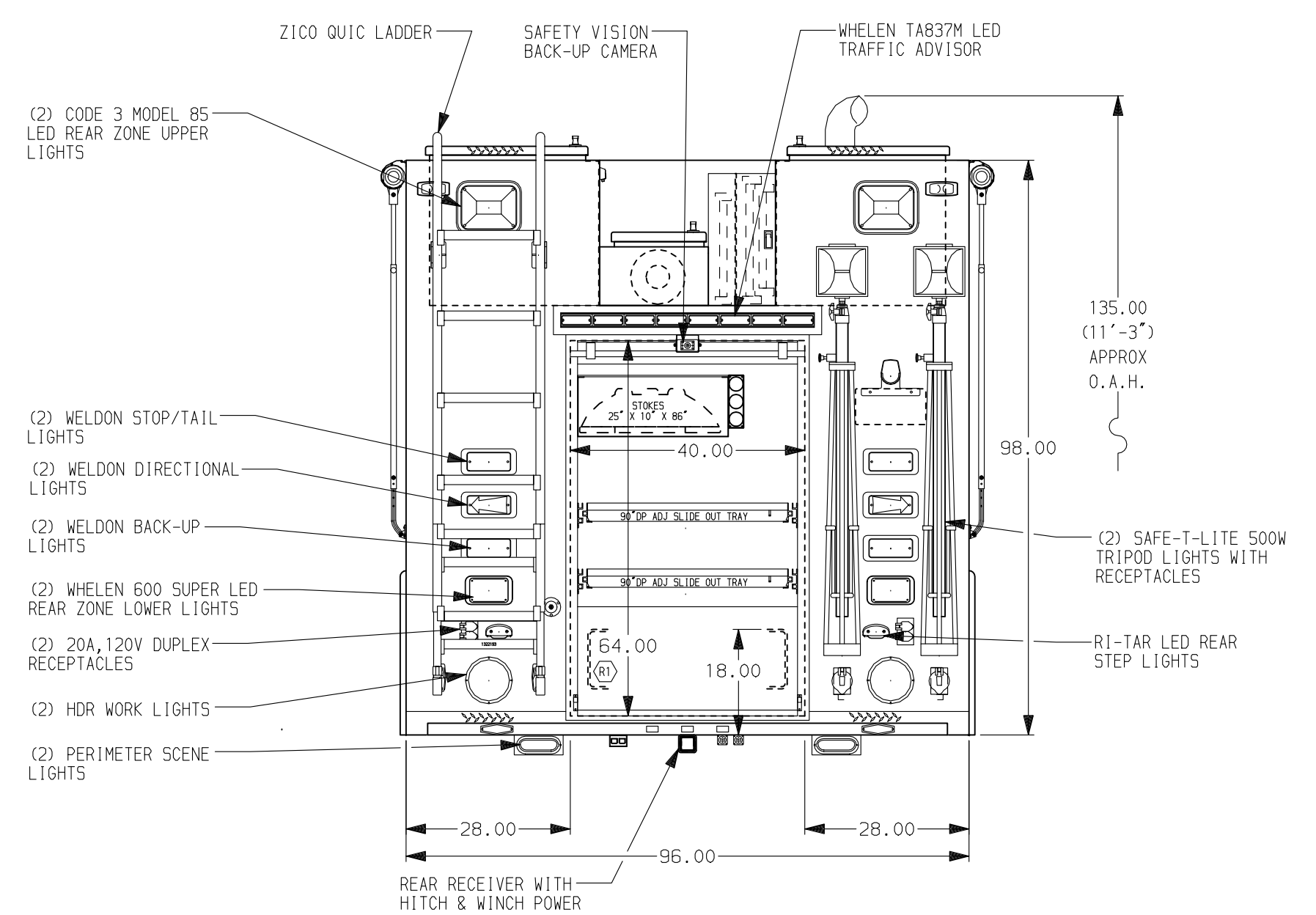
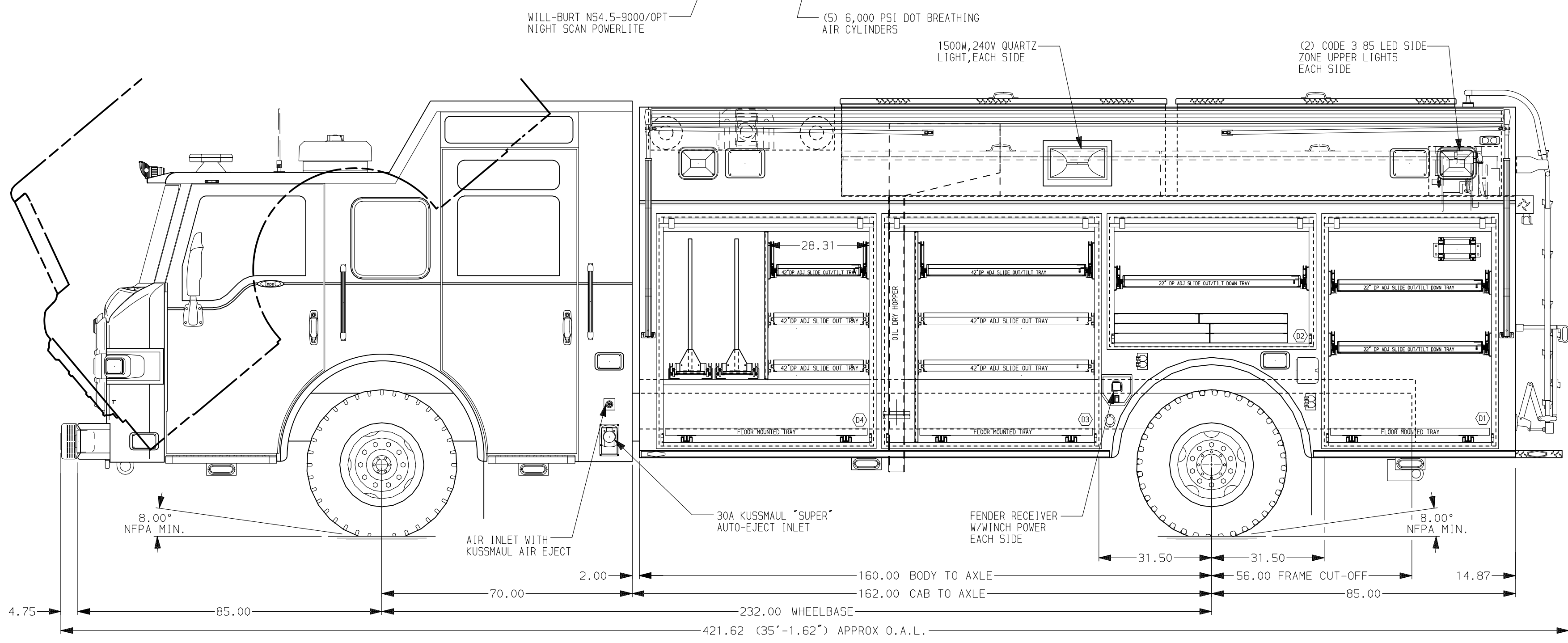
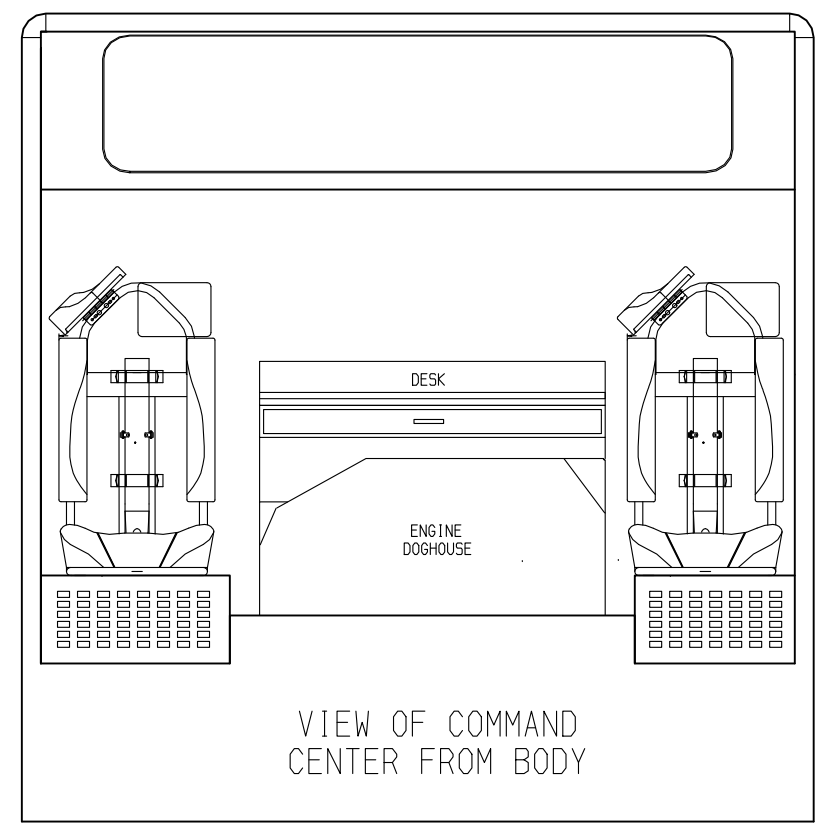


- STORAGE COMPARTMENT FOR 24\"/>

- RAISED STORAGE COMPARTMENT FOR DOT AIR STORAGE BOTTLES ABOVE WALKWAY

- DRIVER'S SIDE COMPARTMENTS CONTAIN THE FOLLOWING:**
- COMPARTMENT D1 CONTAINS:
 - (1) FLOOR MOUNTED TRAY
 - (2) 22" DP ADJ SLIDE OUT/TILT TRAYS
 - (1) ELECTRIC CORD REEL W/150' OF 10/3 YELLOW CORD
 -
 COMPARTMENT D2 CONTAINS:
 - (1) RACK FOR 6 AIR BAGS
 - (1) 22" DP ADJ SLIDE OUT/TILT TRAY
 -
 COMPARTMENT D3 CONTAINS:
 - (1) OIL DRY HOPPER
 - (2) VERTICAL COMPARTMENT DIVIDERS
 - (2) 42" DP ADJ SLIDE OUT TRAYS
 - (1) FLOOR MOUNTED TRAY
 - (1) 42" DP ADJ SLIDE OUT/TILT TRAY
 -
 COMPARTMENT D4 CONTAINS:
 - (1) VERTICAL COMPARTMENT DIVIDER
 - (1) HORIZONTAL FLOOR EXTENSION
 - (2) 42" DP ADJ SLIDE OUT TRAYS
 - (1) 42" DP ADJ SLIDE OUT/TILT TRAY
 - (1) FLOOR MOUNTED TRAY
 - (2) 42" DP ADJ SLIDE OUT TOOLBOARDS

- REAR COMPARTMENT CONTAINS THE FOLLOWING:**
- COMPARTMENT R1 CONTAINS:
 - (1) STOKES BASKET RACK
 - (1) RACK FOR 3 PIKE POLES
 - (2) 90" DP ADJ SLIDE OUT TRAYS
 -
 -



NOTE
 DIMENSIONS SHOWN ARE APPROXIMATE AND ARE SUBJECT TO MINOR DEVIATIONS AS MAY OCCUR OR BE NECESSARY IN CONSTRUCTION. MINOR DETAILS NOT SHOWN.

- NOTES:**
- MUD FLAPS WITH LOGO FRONT AND REAR ON EACH SIDE
 - FLOOR IN CAB AND CREW CAB TO BE PADDED RUBBER
 - FIRE-COM 7 POSITION INTERCOM SYSTEM
 - WARN 6,000# PORTABLE RECEIVER STYLE WINCH
 - KUSSMAUL PUMP PLUS 1200 CHARGER LOCATED ?
 - DAVIS VANTAGE PRO2 WEATHER MONITOR VANE LOCATED ON CAB ROOF
 - (2) 9,000# TIE-DOWNS FOR RECEIVER TUBES
 - S/S GUARDS ON ALL ROLL-UP DOORS
 - COMPARTMENT VENTILATION SYSTEM

- ANDOR LED LIGHT STRIPS IN EACH COMPARTMENT
- HANDHELD CAB SPOTLIGHT LOCATED ON OFFICER'S SIDE
- OWAN 30KW SINGLE PHASE PTO DRIVEN GENERATOR WITH SPLASH GUARD LOCATED BETWEEN THE FRAME RAILS

FRONTAL IMPACT PROTECTION
 STAINLESS STEEL BODY

CUSTOMER APPROVAL			
APPROVED BY:			
DATE:			
REV	DATE	BY	CH

		MANUFACTURING INC.		JOB NO.	22068
TITLE		HEAVY DUTY RESCUE NON-WALKIN		SCALE	DATE
MAKE		PIERCE		DRAWN BY	DHE
FOR		FOREST VIEW FIRE DISTRICT PAINTED POST, NY		CHECKED BY	AZU
MODEL		IM7020		DWG NO.	22068AD
SHEET SIZE		D		SHEET NO.	1 OF 1