

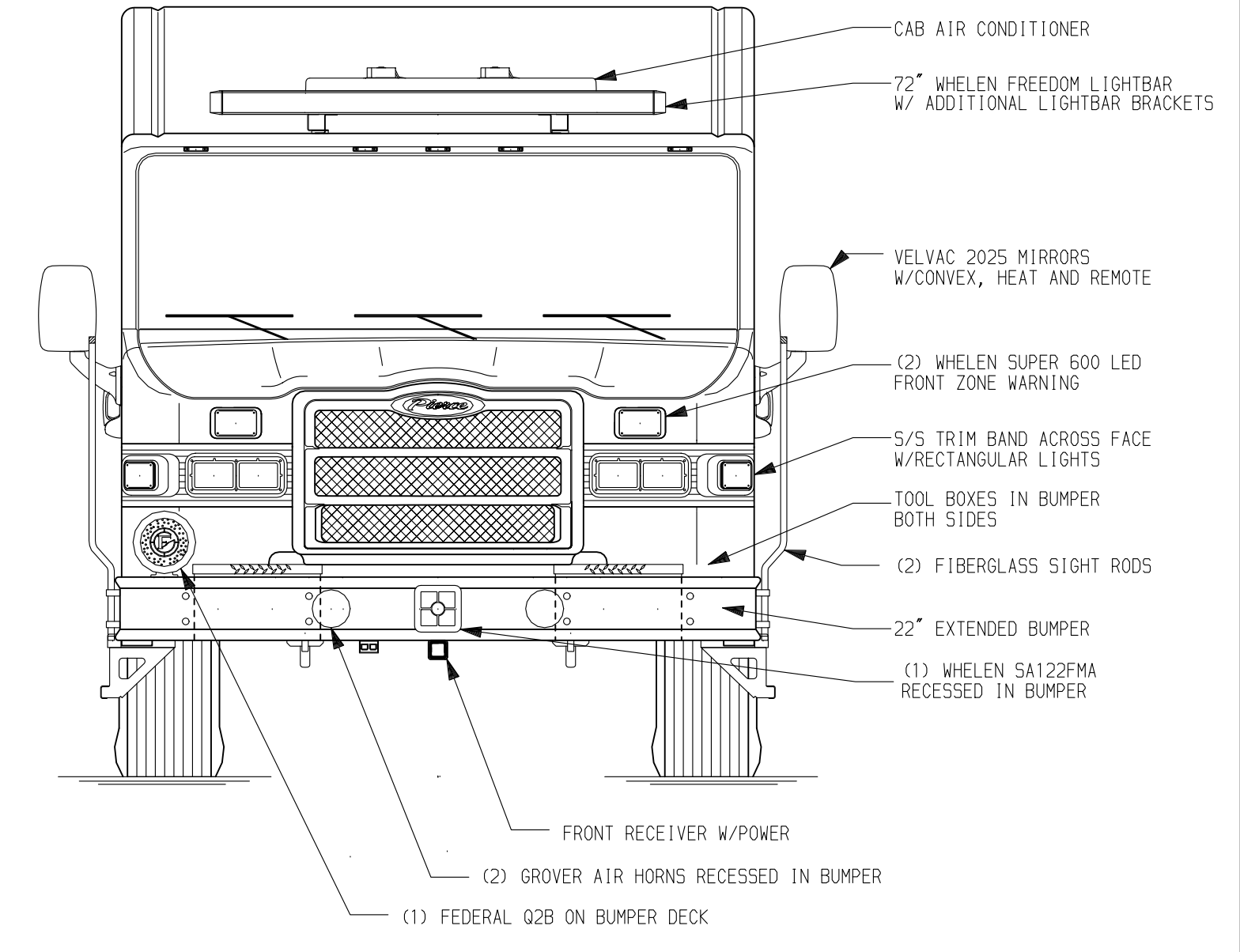
PASSENGER'S SIDE COMPARTMENTS CONTAIN THE FOLLOWING:

COMPARTMENT P1 CONTAINS:
 - (1) 22" DP ADJ SHELF
 - (1) 23" DP ADJ SLIDE-OUT TRAY
 - (1) 23" DP FLOOR MOUNTED SLIDE-OUT TRAY
 - (1) SLIDE-OUT FLOOR MOUNTED TOOLBOARD
 - (1) 30A 240V TWIST-LOCK RECEPT FOR HURST UNIT
 - (1) 20A 120V 51R BLADE RECEPTACLE
 - (2) HANNAY HYDRAULIC REELS W/200' OF .25" ID DUAL HOSE AND CAPTIVE ROLLERS

COMPARTMENT P2 CONTAINS:
 - (3) 22" DP ADJ SHELVES

COMPARTMENT P3 CONTAINS:
 - FLOOR EXTENSION
 - (1) BACKBOARD RACK
 - (2) 62" DP SLIDE-OUT TOOLBOARDS W/O TRAY
 - (2) 62" DP SLIDE-OUT FLOOR MOUNTED TRAYS
 - (1) 23" DP FLOOR MOUNTED SLIDE-OUT TRAY
 - (1) RACK FOR 3 PIKE POLE TUBES
 - (1) HANNAY ELECTRICAL REEL W/200' OF 10/4 YELLOW CORD AND CAPTIVE ROLLER
 - (1) 20A, 120V 51R BLADE DUPLEX RECEPT

COMPARTMENT P4 CONTAINS:
 - (4) CUSTOM SIZE POLY BOXES
 - FLOOR EXTENSION
 - (2) 62" DP SLIDE-OUT TOOLBOARDS W/O TRAY
 - (2) 62" DP SLIDE-OUT FLOOR MOUNTED TRAYS
 - (1) 23" DP FLOOR MOUNTED SLIDE-OUT TRAY
 - (1) RACK FOR 3 PIKE POLE TUBES
 - (1) HANNAY ELECTRICAL REEL W/200' OF 10/4 YELLOW CORD AND CAPTIVE ROLLER
 - (1) 20A, 120V 51R BLADE DUPLEX RECEPT



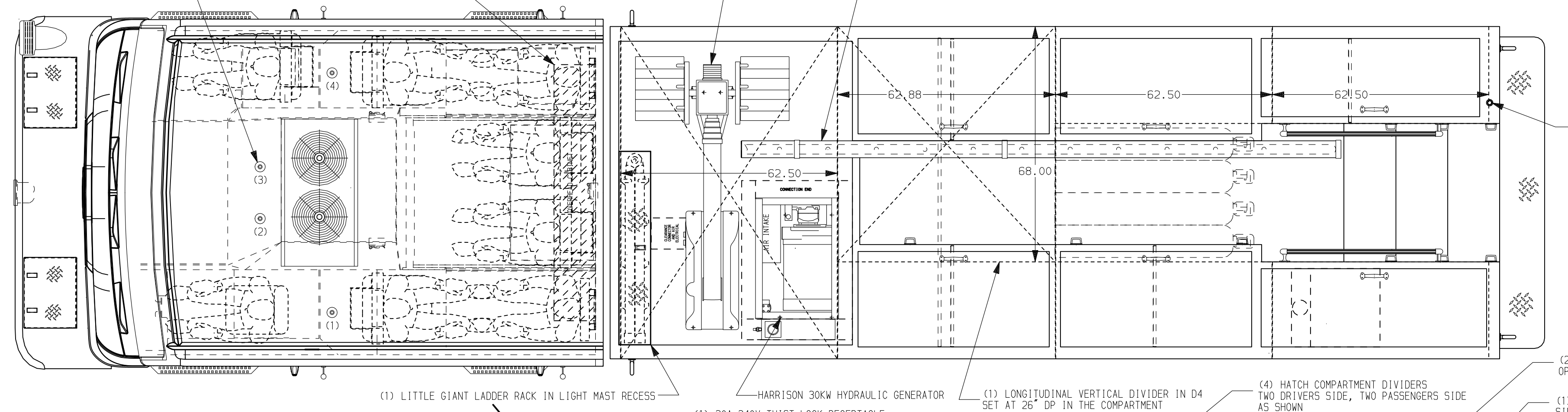
REAR COMPARTMENTS CONTAIN THE FOLLOWING:

COMPARTMENT R1 CONTAINS:
 - 23" DP FLOOR MOUNTED SLIDE-OUT TRAY

COMPARTMENT R2 CONTAINS:
 - RACK FOR PLYWOOD & CRIBBING
 - (1) HORIZONTAL DIVIDER

COMPARTMENT R3 CONTAINS:
 - RACK FOR THREE (3) PIKE POLES
 - (4) 6000 DOT BREATHING AIR STORAGE CYLINDERS

COMPARTMENT R4 CONTAINS:
 - (1) STOKES BASKET RACK
 - (1) 10" 5/8" FOLDING LADDER TRAY W/DOU-SAFETY 585A FOLDING LADDER



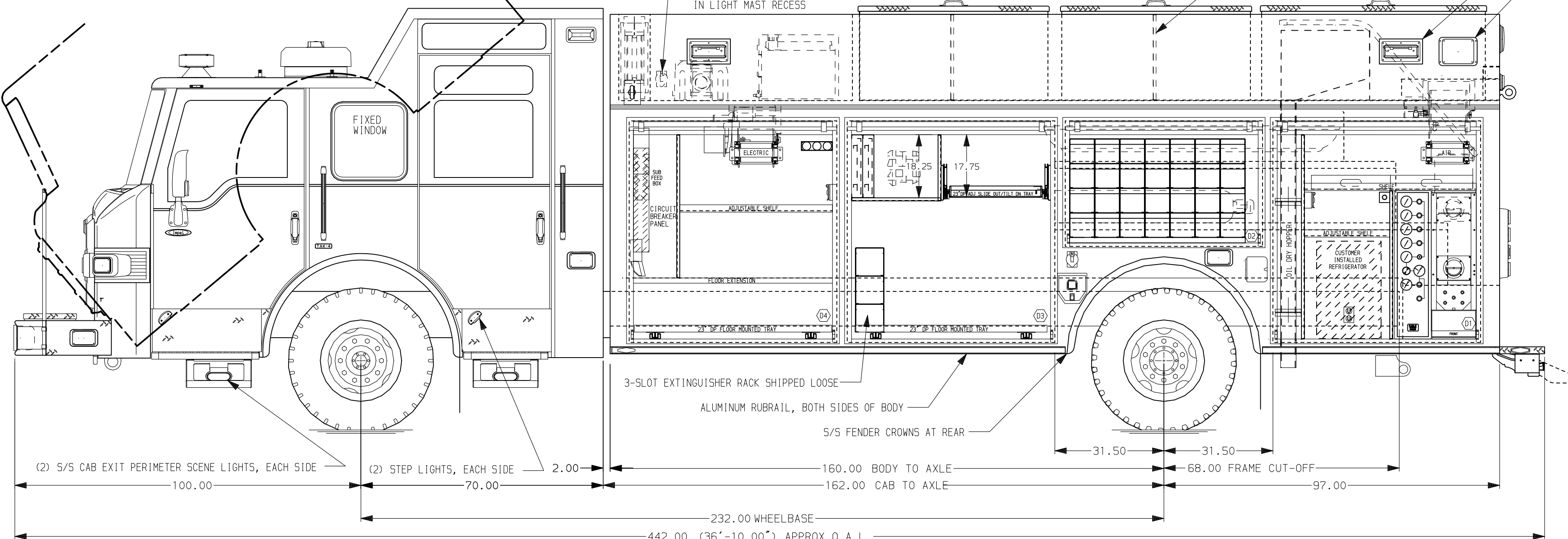
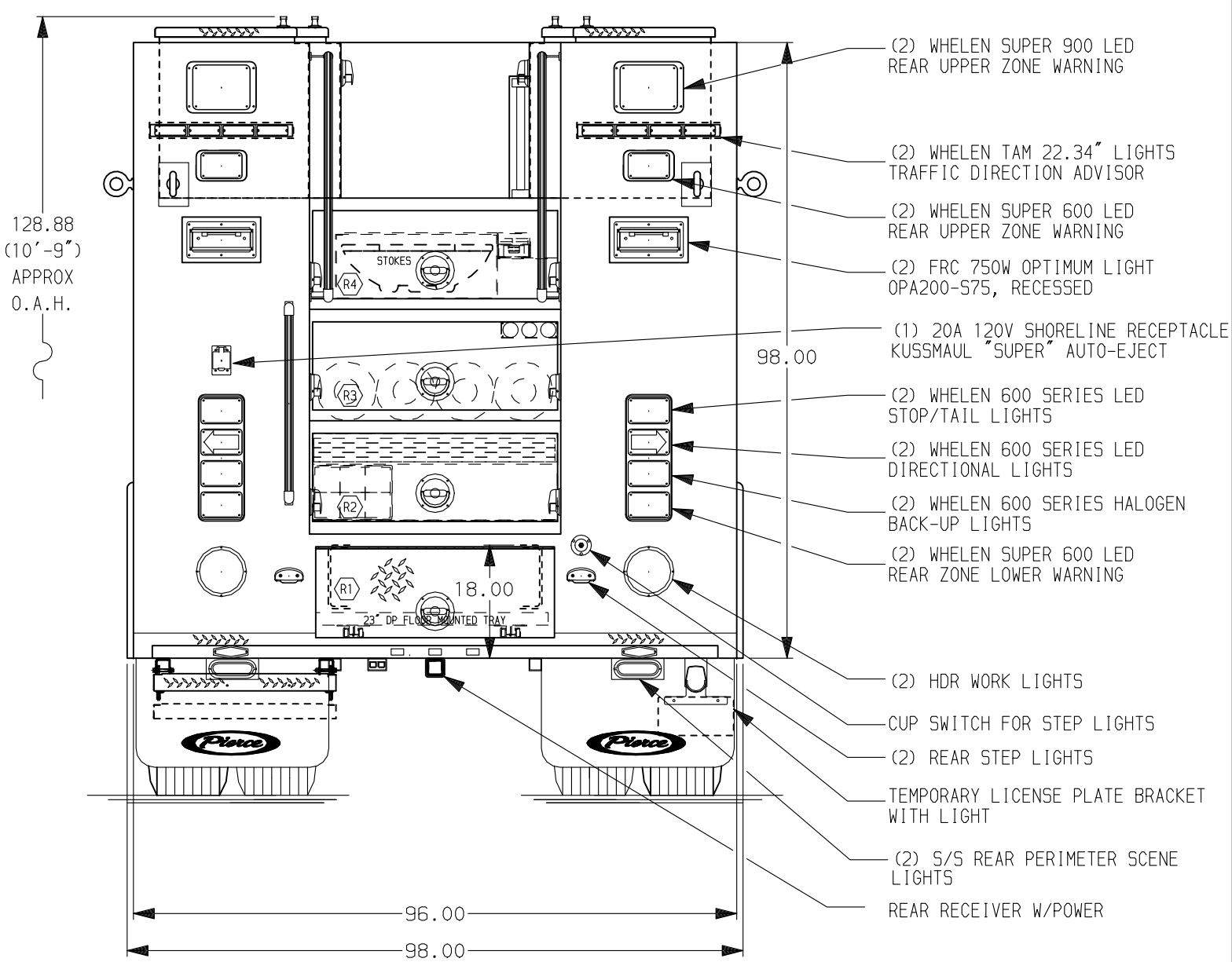
DRIVER'S SIDE COMPARTMENTS CONTAIN THE FOLLOWING:

COMPARTMENT D1 CONTAINS:
 - (2) CUSTOM SIZE POLY BOXES
 - (2) VERTICAL DIVIDERS
 - OIL DRY HOPPER W/DUAL CHUTE GATES
 - (1) 22" DP ADJ SHELF
 - (1) PERMANENT SHELF
 - (1) SPACESAVER FILL ENCLOSURE MODEL 100A W/CONTROL PANEL
 - (1) HANNAY TOOL AIR REEL W/200' OF HOSE .50" ID AND CAPTIVE ROLLER FOR CASCADE SYSTEM

COMPARTMENT D2 CONTAINS:
 - RACK FOR 28 SCBA BOTTLES

COMPARTMENT D3 CONTAINS:
 - RETENTION NETTING
 - (1) VERTICAL DIVIDER
 - (1) BACKBOARD RACK
 - (1) RACK FOR THREE (3) FIRE EXTINGUISHERS
 - (1) 23" DP FLOOR MOUNTED SLIDE-OUT TRAY
 - (1) 42" DP SLIDE-OUT/TILT DOWN TRAY
 - (1) TRANSVERSE STORAGE TROUGH

COMPARTMENT D4 CONTAINS:
 - (1) VERTICAL DIVIDER
 - FLOOR EXTENSION
 - (1) 22" DP ADJ SHELF
 - (1) 23" DP FLOOR MOUNTED SLIDE-OUT TRAY
 - (1) RACK FOR 3 PIKE POLE TUBES
 - (1) CIRCUIT BREAKER PANEL
 - (1) HANNAY ELECTRICAL REEL W/200' OF 10/4 YELLOW CORD AND CAPTIVE ROLLER
 - (1) SUB-FEED BREAKER BOX
 - (1) LIGHT MAST CONTROL LED
 - (1) 20A, 120V 51R BLADE DUPLEX RECEPT



NOTE
 DIMENSIONS SHOWN ARE APPROXIMATE AND ARE SUBJECT TO MINOR DEVIATIONS AS MAY OCCUR OR BE NECESSARY IN CONSTRUCTION. MINOR DETAILS NOT SHOWN.

- NOTES:**
- AIR INLET WITH DISCONNECT COUPLING LOCATED IN THE PASSENGER'S SIDE SEAT RISER
 - DESK TOP WITH DRAWER OVER THE ENGINE TUNNEL IN CREW CAB
 - (3) SHELVES WITH ADJ TRACKS INSTALLED (2) OVER OUTBOARD FORWARD FACING SEATS AND (1) OVER CENTER FORWARD FACING SEATS.
 - (2) LIFT-UP DESK TOPS, (1) ABOVE EACH OUTBOARD FORWARD FACING SEAT BELOW THE SHELVES.
 - LIFT AND TOW PACKAGE
 - PORTABLE #9000 WARN WINCH FOR RECEIVER
 - (2) TIE DOWNS PROVIDED FOR RECEIVERS
 - INSULATION AND LINING FOR PASSENGERS FRONT HATCH COMPARTMENT
 - TURTLE TILE MATTING IN ALL COMPARTMENT FLOORS, SHELVES AND TRAYS

- (1) S/S JUNCTION BOX HOLDER SHIPPED LOOSE
- (3) 20A 120V DUPLEX RECEPTACLES IN CAB
- RUBBER PADDING ON FLOOR OF CAB AND CREW CAB
- CHARGER LOCATED IN SEAT BOX
- S/S DRIP PANS ON ALL BODY ROLL-UP DOORS

SIDE ROLL PROTECTION
 STAINLESS STEEL BODY
 MAXIMUM O.A.H. 130"
 MAXIMUM O.A.L. 445"

CUSTOMER APPROVAL			
APPROVED BY:			
DATE:			
REV	DATE	BY	CH
23	FEB09	KVE	-
20	FEB09	KVE	-
1X	7020		

Pierce MANUFACTURING INC.		JOB NO.	21651
		SCALE	1:24
		DATE	
TITLE	HEAVY DUTY RESCUE NON-WALKIN	DRAWN BY	KVE
FOR	VILLAGE OF EAST AURORA EAST AURORA, NY	CHECKED BY	TEO
DWG NO.	21651AD	SHEET SIZE	D
		SHEET NO.	1 OF 1