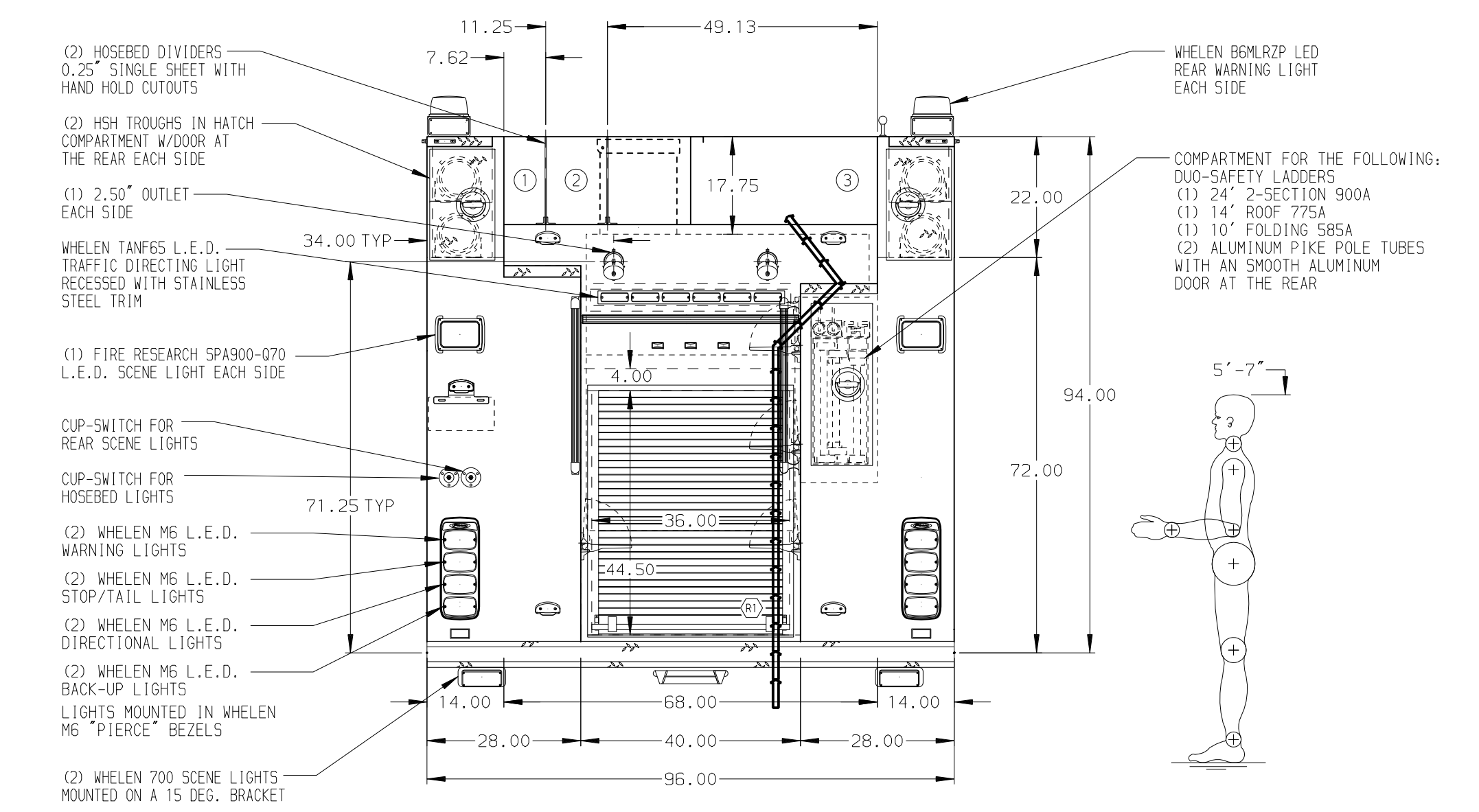
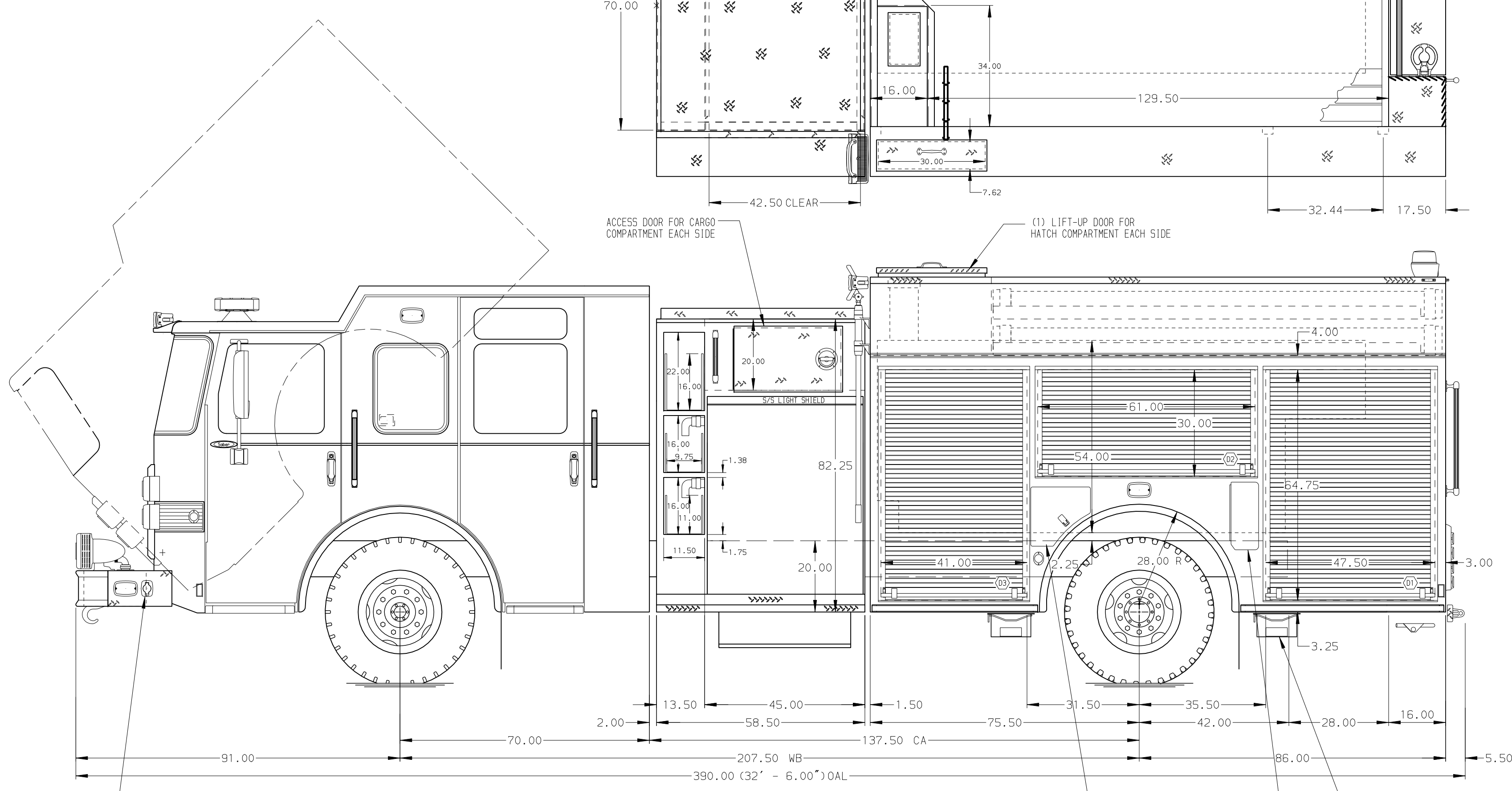


- HOSEBED CAPACITIES
- ① - 400' OF 2.00" HOSE
  - ② - 300' OF 3.00" HOSE
  - ③ - 1400' OF 5.00" HOSE



ALUMINUM BODY

NOTE  
DIMENSIONS SHOWN ARE APPROXIMATE AND ARE SUBJECT TO MINOR DEVIATIONS AS MAY OCCUR OR BE NECESSARY IN CONSTRUCTION. MINOR DETAILS NOT SHOWN.

CUSTOMER APPROVAL				Pierce MANUFACTURING INC.		JOB NO.	30064		
APPROVED BY: _____						SCALE	1:24	DATE	
DATE: _____						DRAWN BY	AMI	03MAY16	
CHASSIS DATA				TITLE	1500-D-1000P 161" FHFD DS, FH F&R FDLER PS, 45"SC PH (2)SPEEDLAYS, FRONT INLET, LDRS BETWEEN TANK & BODY				
MAKE				FOR	NEWPORT FIRE DEPARTMENT NEWPORT, NEW YORK				
PIERCE				DWG NO.	30064AD				
MODEL				REV					
REV	DATE	BY	CH	SABER FR					
						SHEET SIZE	D	SHEET NO.	1 OF 1